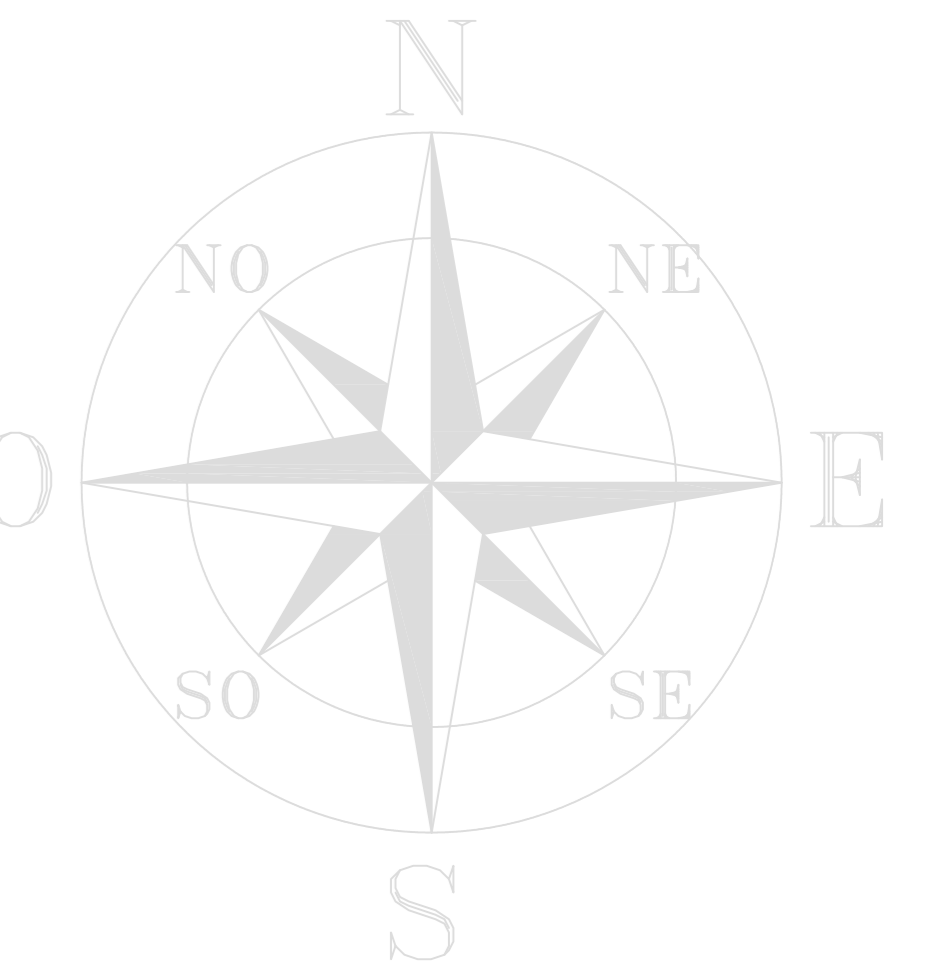




BUILDING MANAGEMENT SECTION
EULEX-KOSOVO

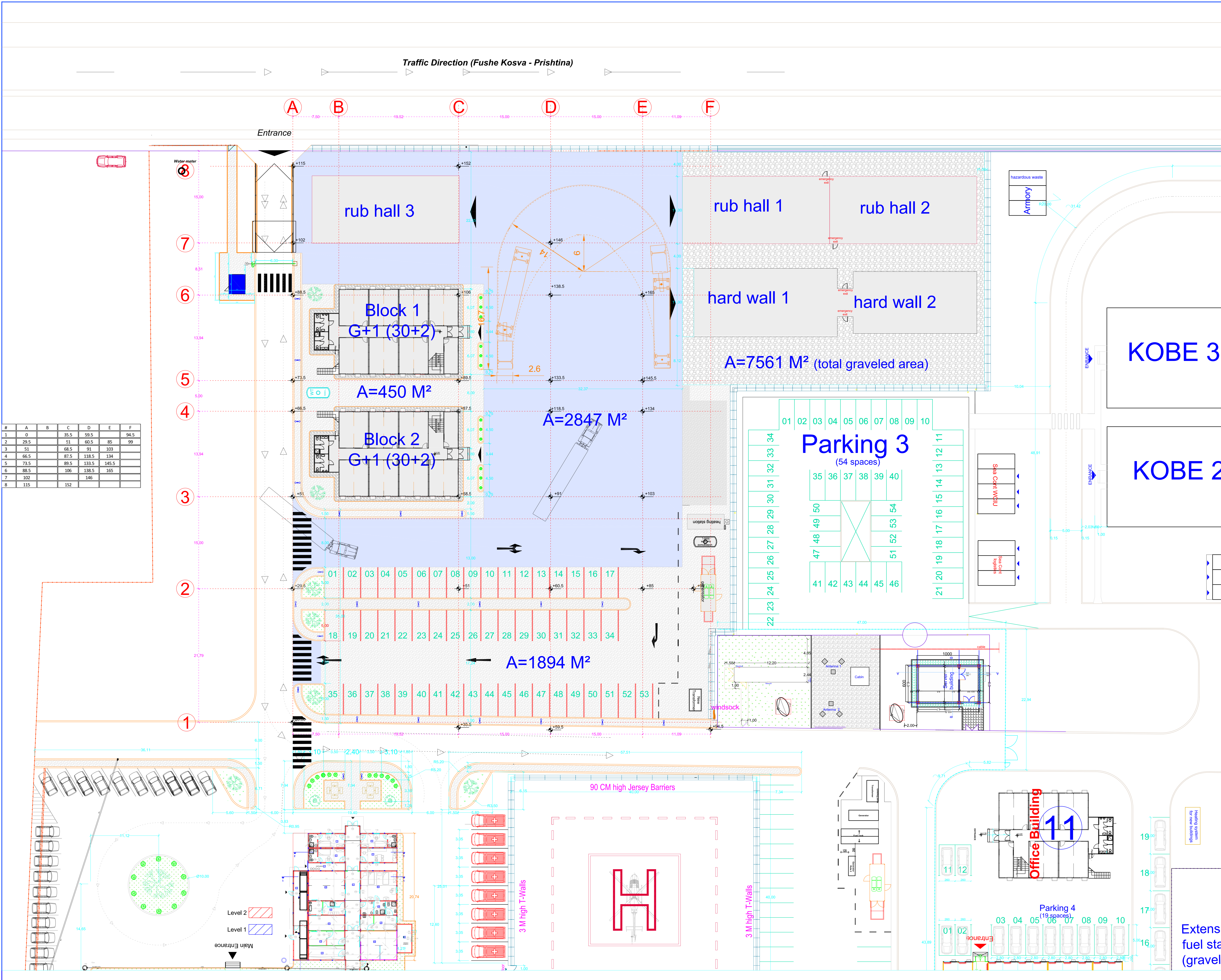


PROJECT TITLE:
EPC & EMC

LOCATION: INDUSTRIAL ZONE
PRISHTINA

DRAWING TITLE:
EPC & EMC LAYOUT

APPROVED BY:	
CHECKED BY:	
DESIGNED BY:	EULEX-BMS
SCALE:	1:20
UNITS	cm
DRAWING NO:	01 A0
DATE:	january 2013



#	A	B	C	D	E	F
1	0		35.5	59.5		94.5
2	29.5		51	60.5	85	99
3	51		68.5	91	103	
4	66.5		87.5	118.5	134	
5	73.5		89.5	133.5	145.5	
6	88.5		106	138.5	165	
7	102			146		
8	115		152			

Traffic Direction (Fushe Kosva - Prishtina)

rub hall 3

rub hall 1

rub hall 2

Block 1
G+1 (30+2)

hard wall 1

hard wall 2

A=450 M²

A=7561 M² (total graveled area)

Block 2
G+1 (30+2)

A=2847 M²

Parking 3
(54 spaces)

KOBE 3

KOBE 2

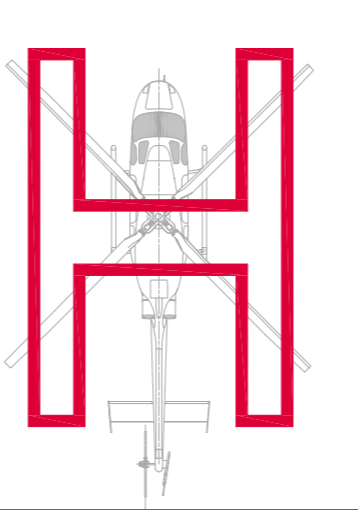
A=1894 M²

Office Building 11

Parking 4
(19 spaces)

Extensio
fuel sta
(gravel)

Level 2
Level 1
Main Entrance





BUILDING MANAGEMENT SECTION
EULEX-KOSOVO

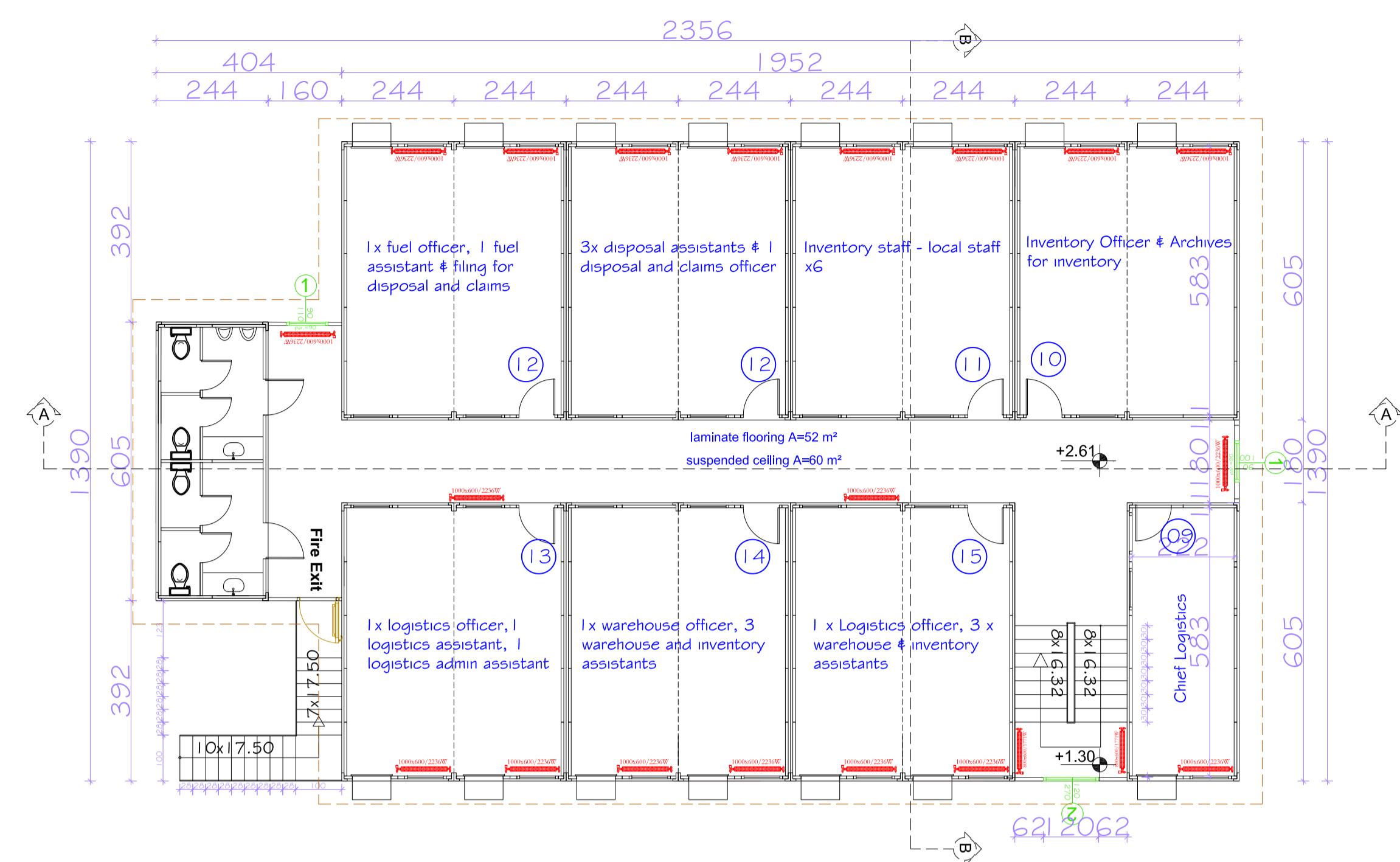


PROJECT TITLE:
New WH Compound

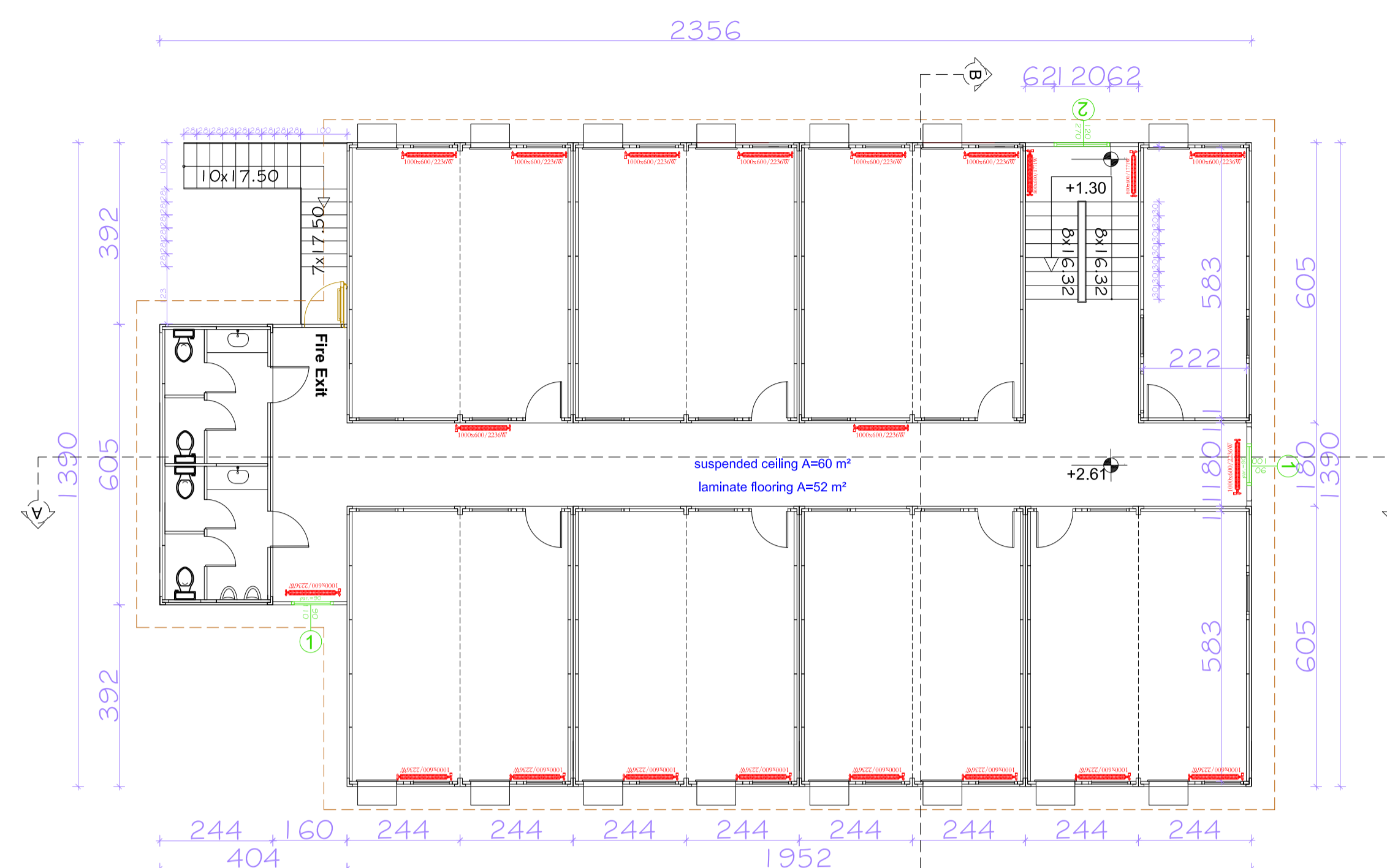
LOCATION: PRISHTINA

DRAWING TITLE:
CONTAINER BLOCK 1&2 FLOOR PLANS

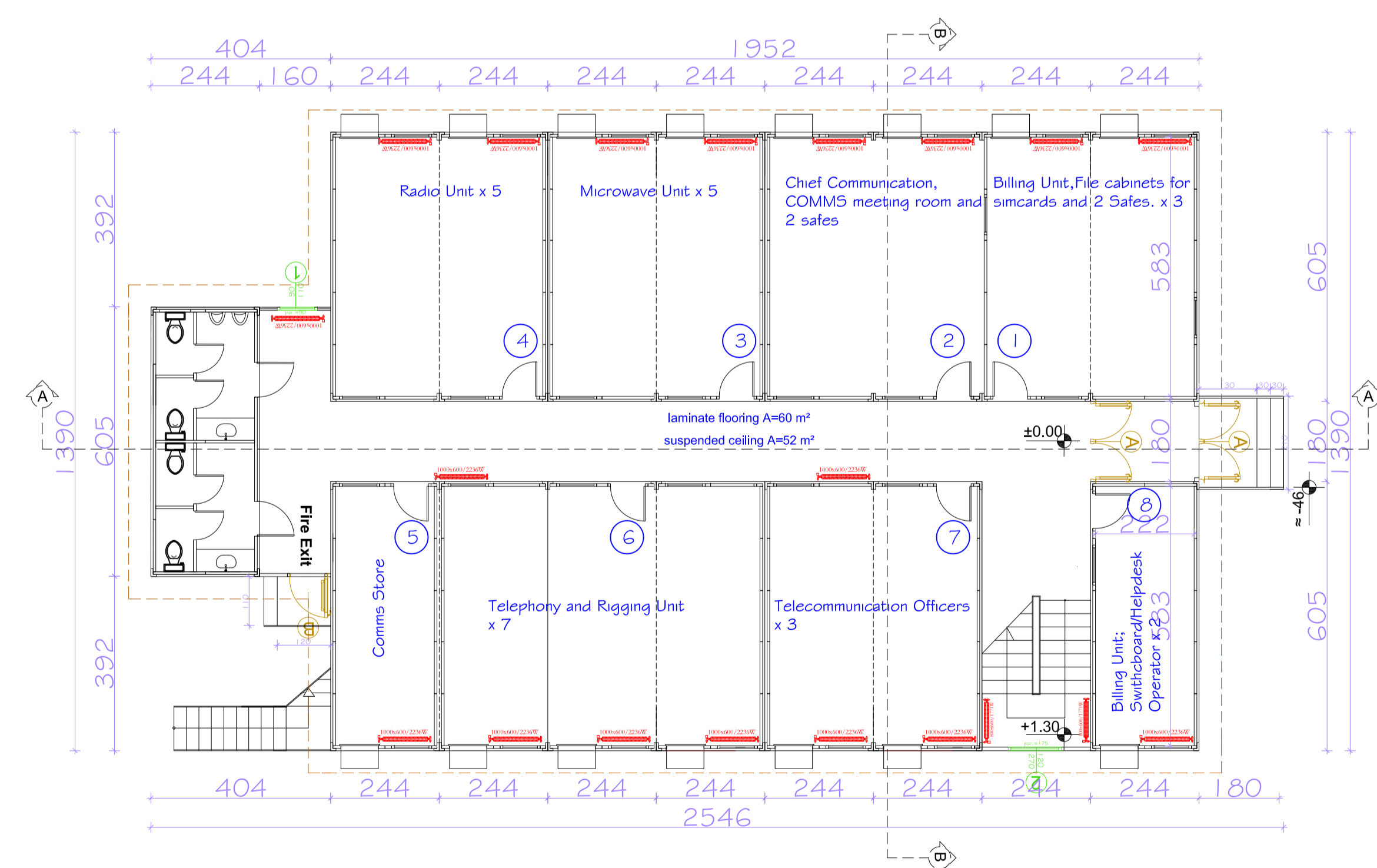
APPROVED BY:	
CHECKED BY:	
DESIGNED BY:	EULEX-BMS
SCALE:	1:100
UNITS:	cm
DRAWING NO:	A-02
DATE:	January 2013
	FORMAT A1



first floor

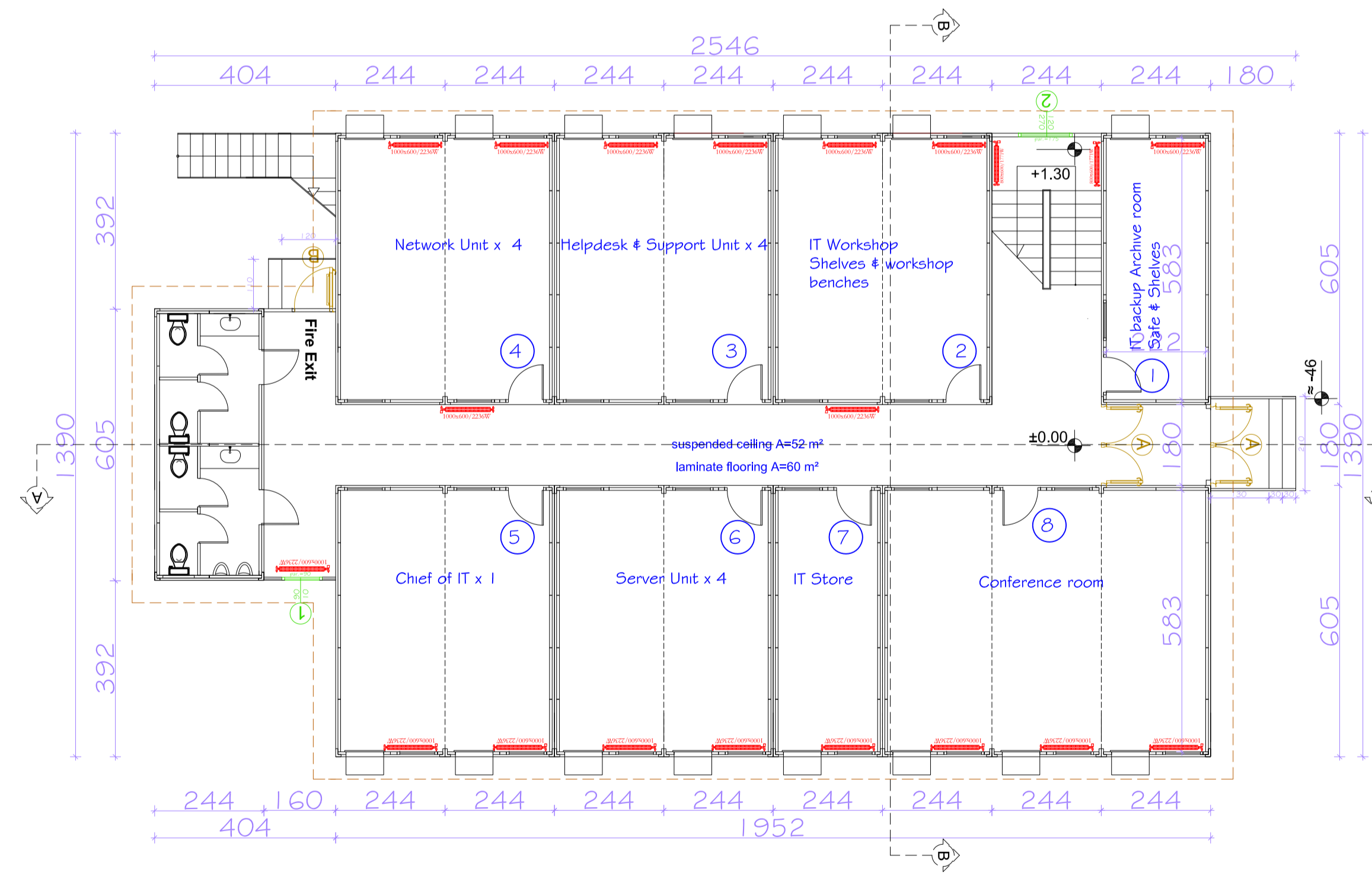


first floor



ground floor

Container Block 1 G+1 (30+2)



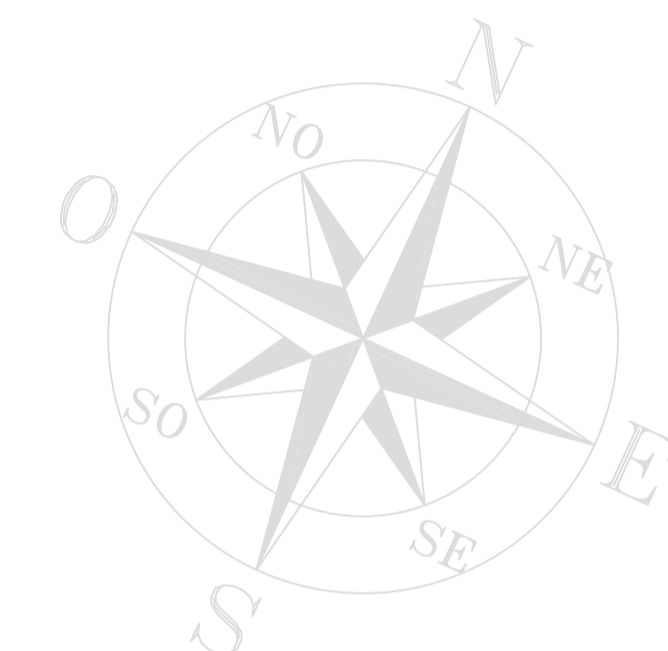
ground floor

Container Block 2 G+1 (30+2)





BUILDING MANAGEMENT SECTION
EULEX-KOSOVO

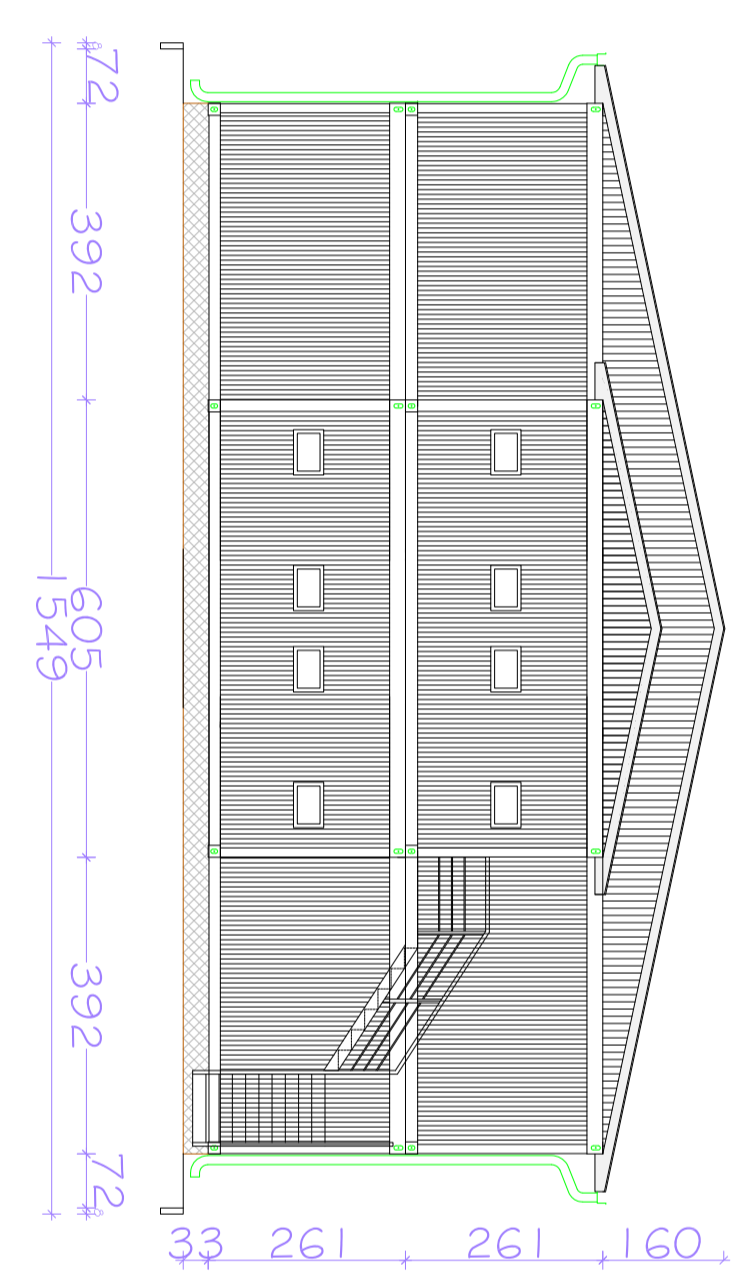
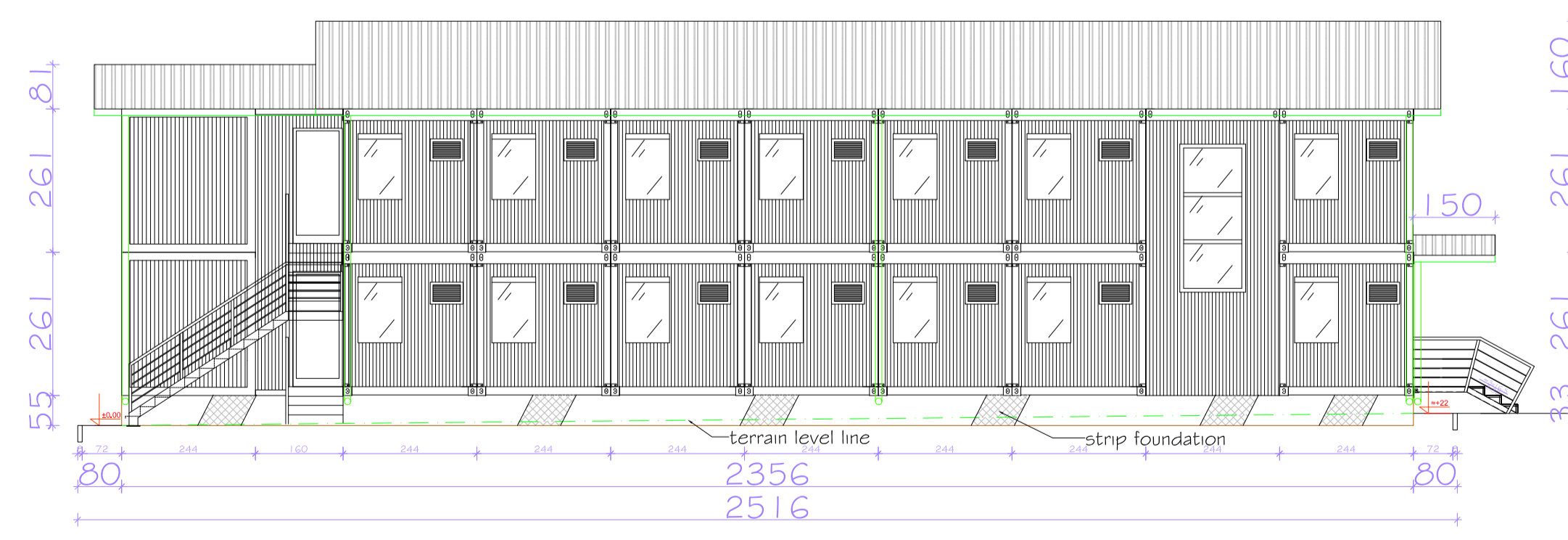
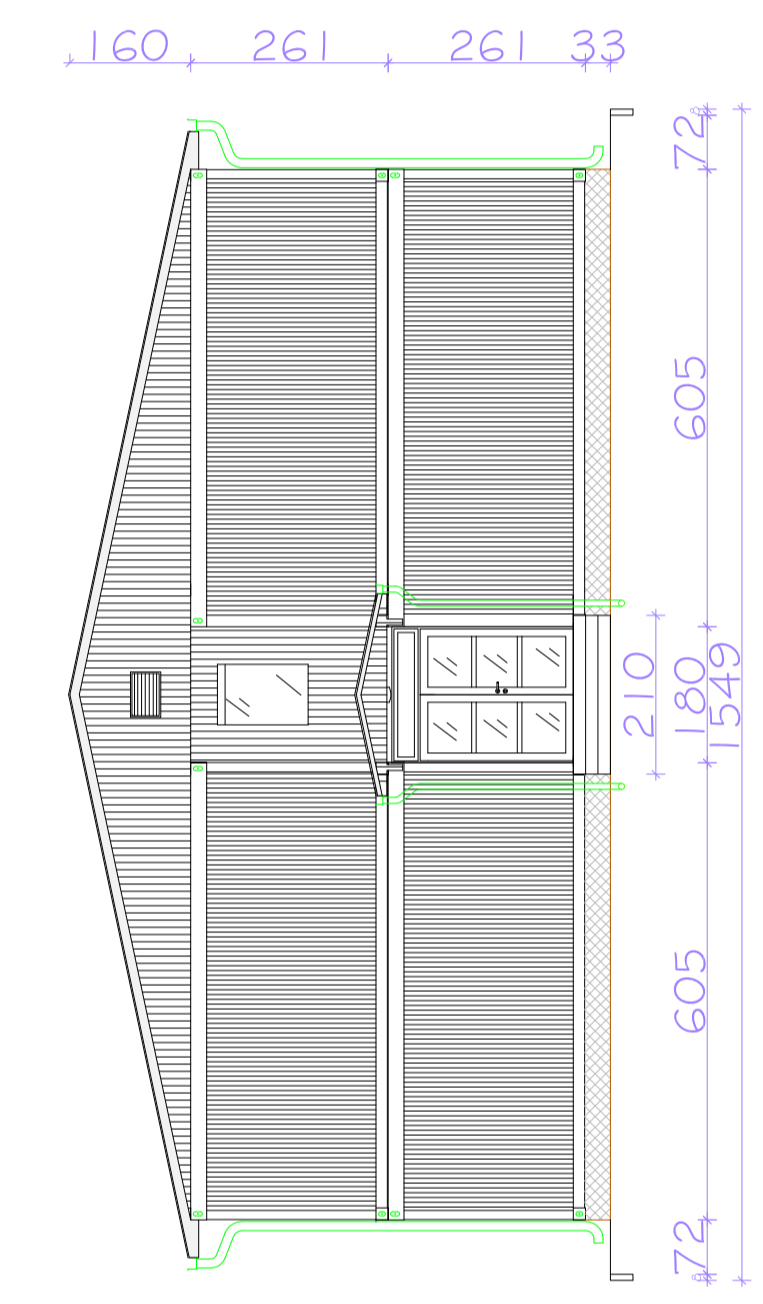
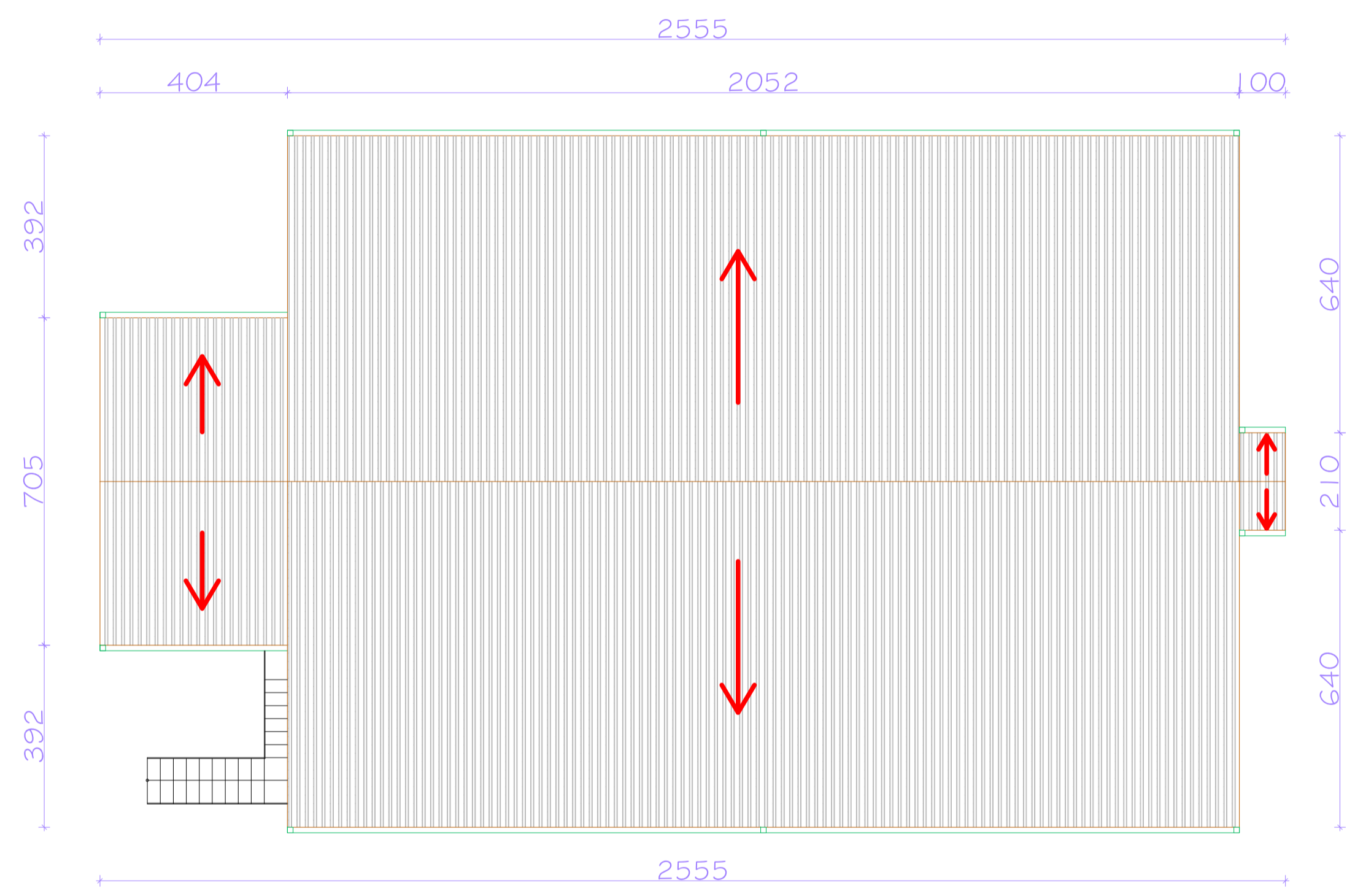
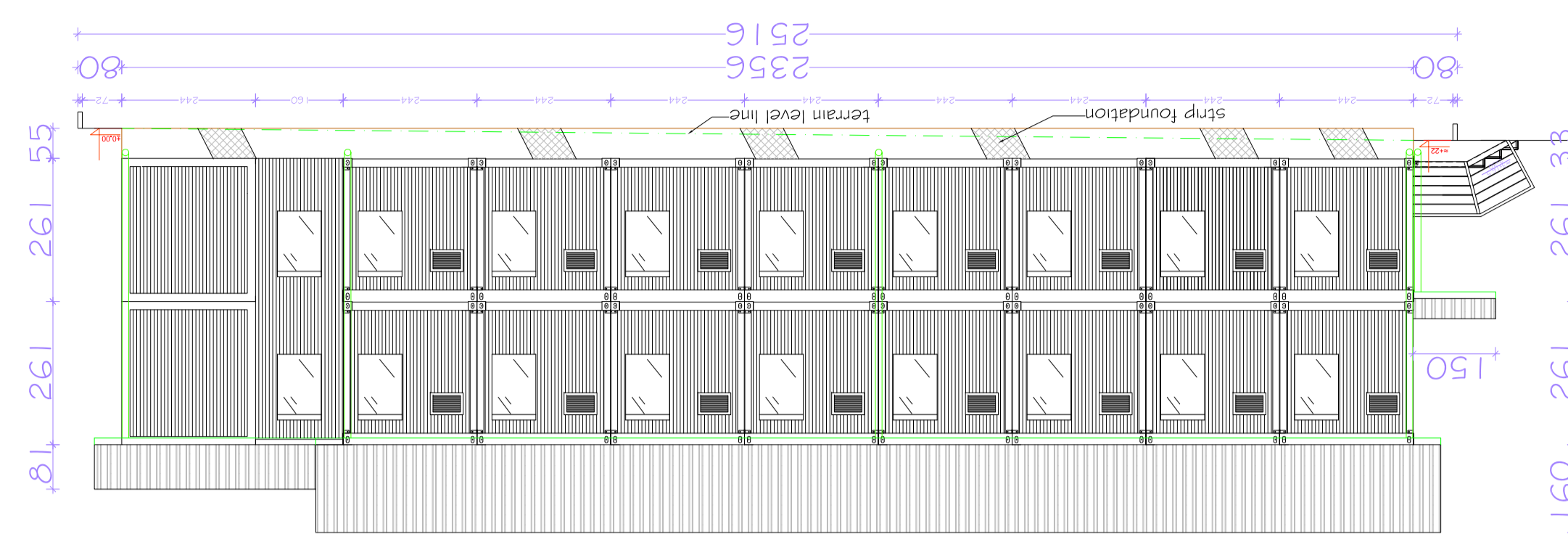


PROJECT TITLE:
Container Block 1

LOCATION: PRISHTINA

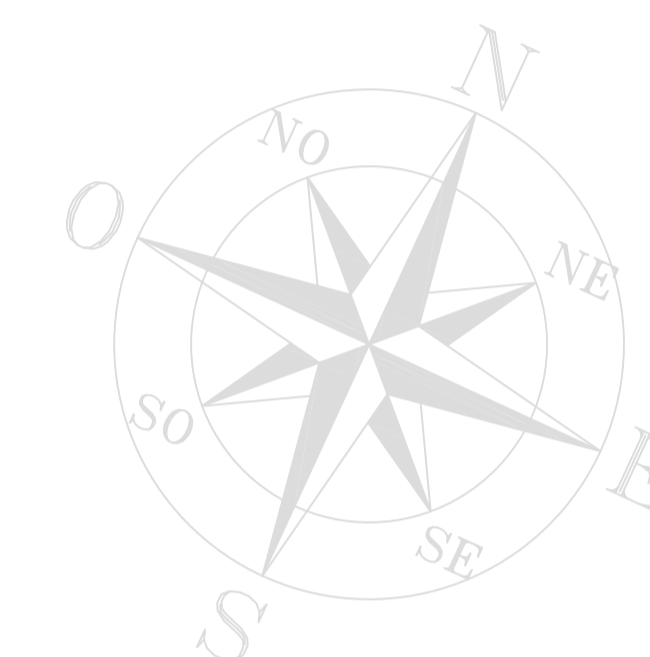
DRAWING TITLE:
CONTAINER BLOCK 1 FACADE

APPROVED BY:	
CHECKED BY:	
DESIGNED BY:	EULEX-BMS
SCALE:	1:100
UNITS:	cm
DRAWING NO:	A-03
DATE:	January 2013
	FORMAT A1





BUILDING MANAGEMENT SECTION
EULEX-KOSOVO

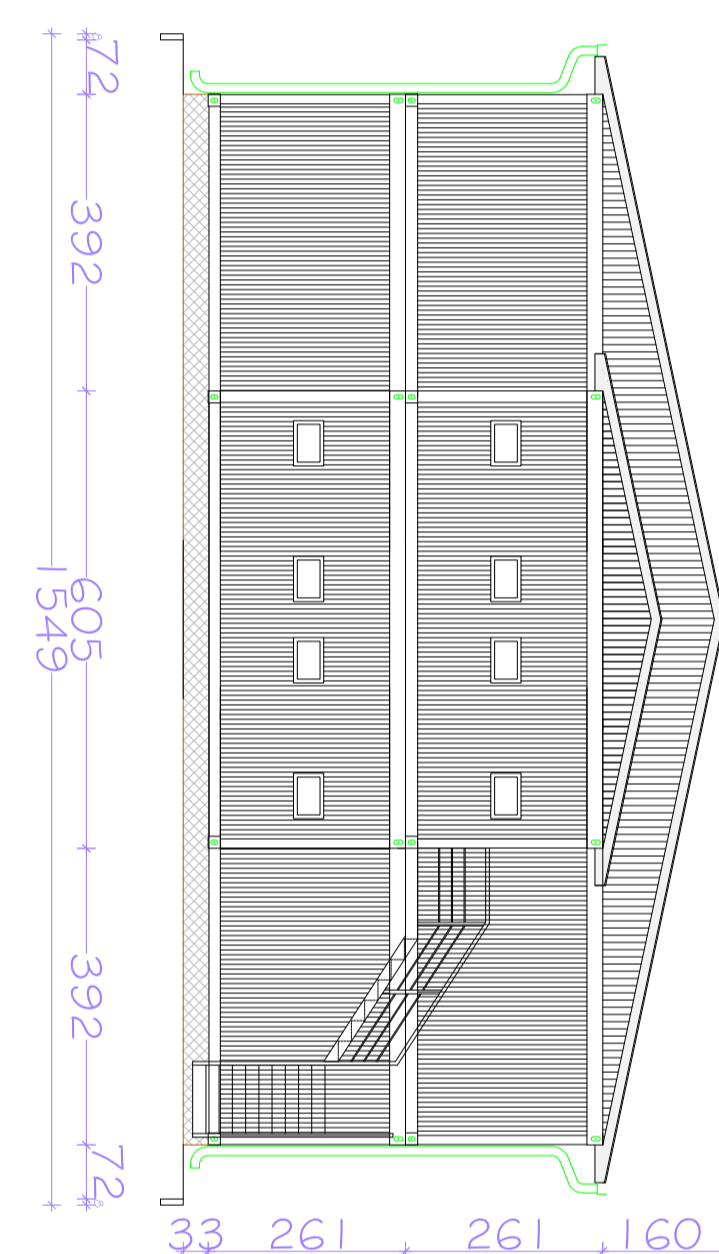
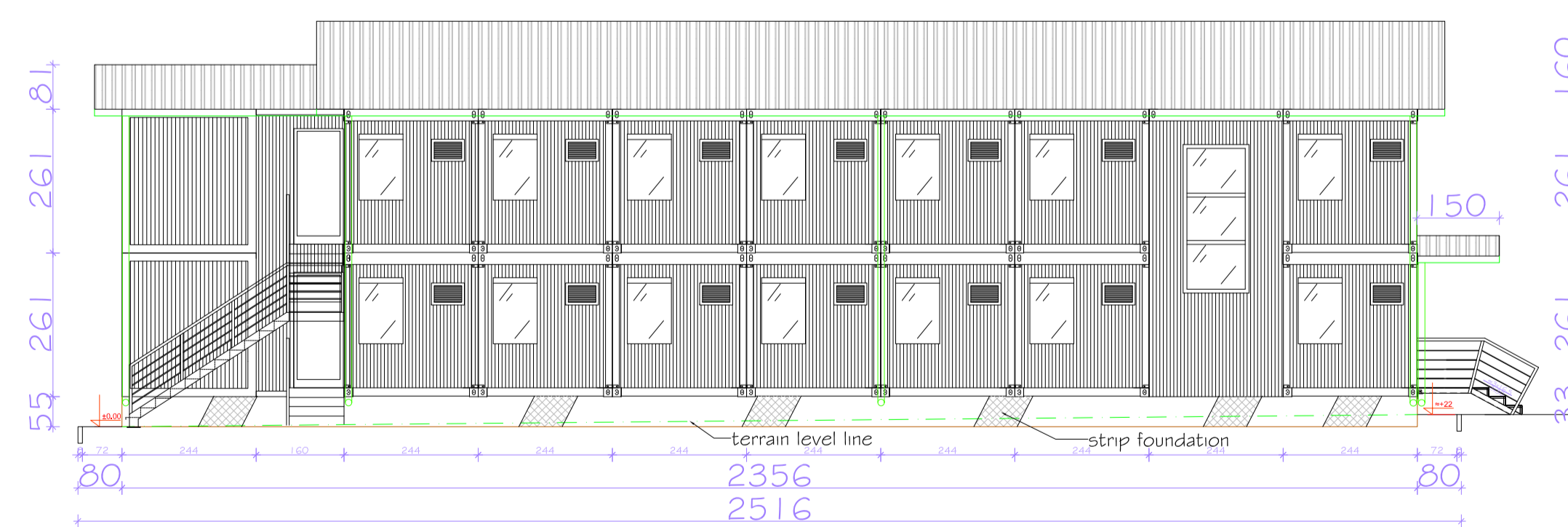
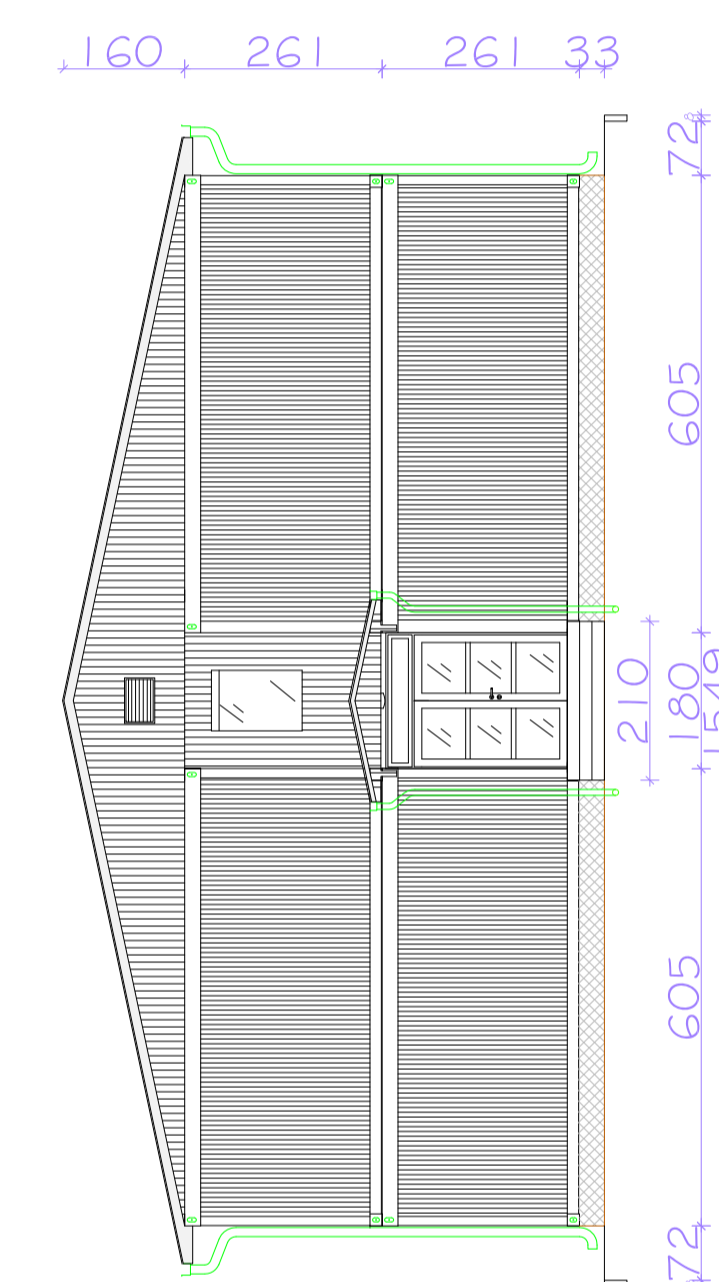
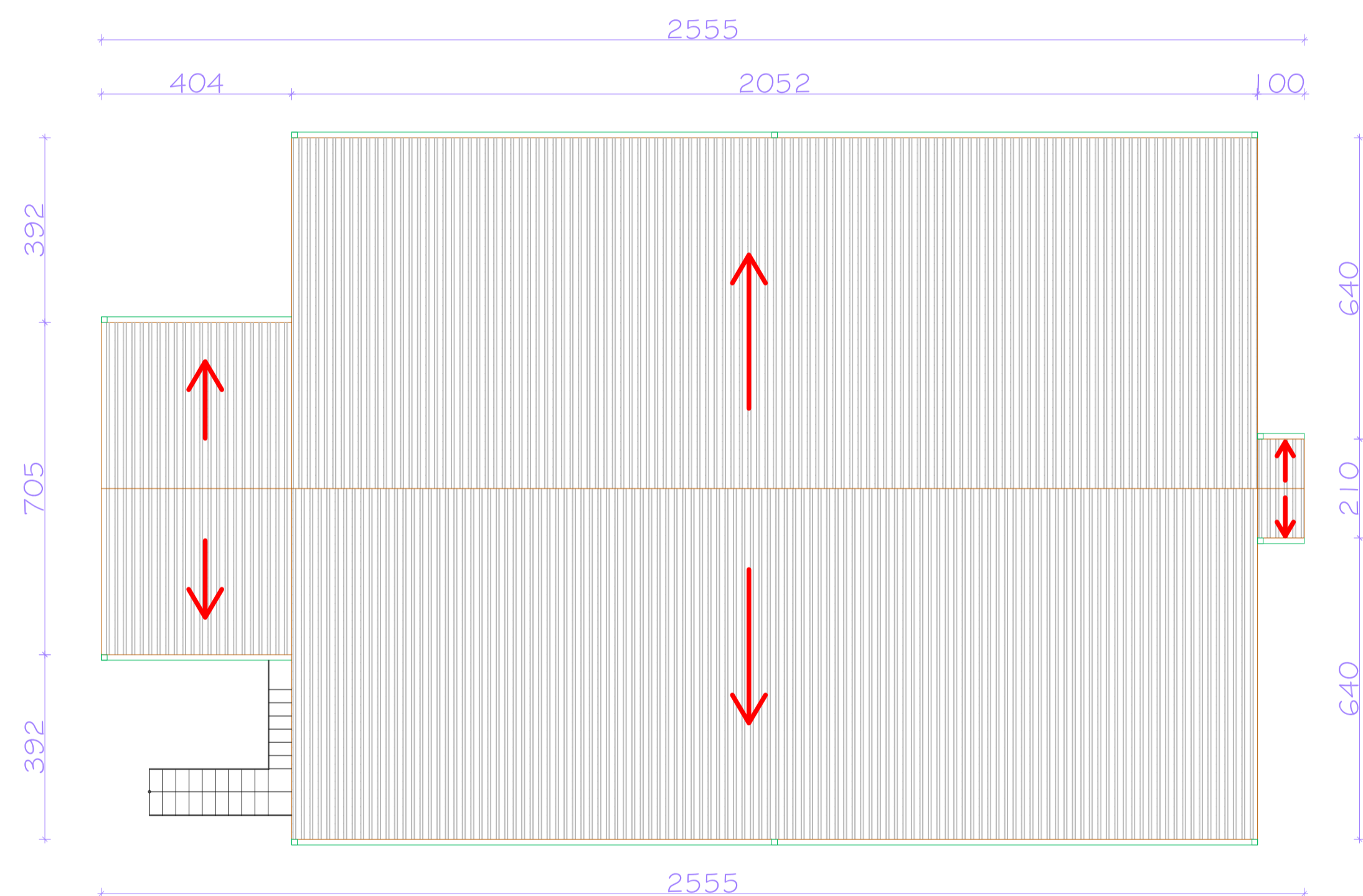


PROJECT TITLE:
New WH Compound

LOCATION: PRISHTINA

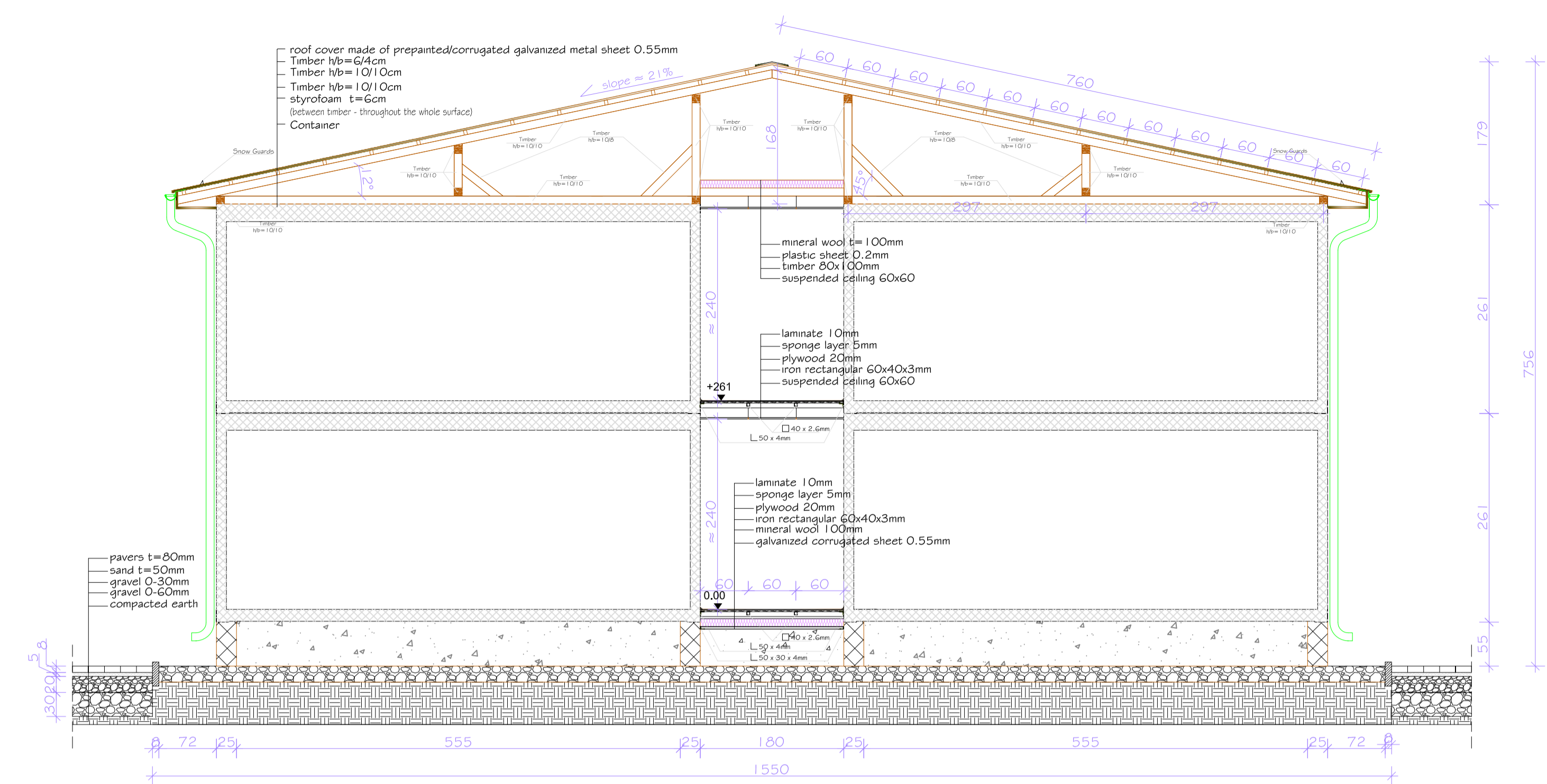
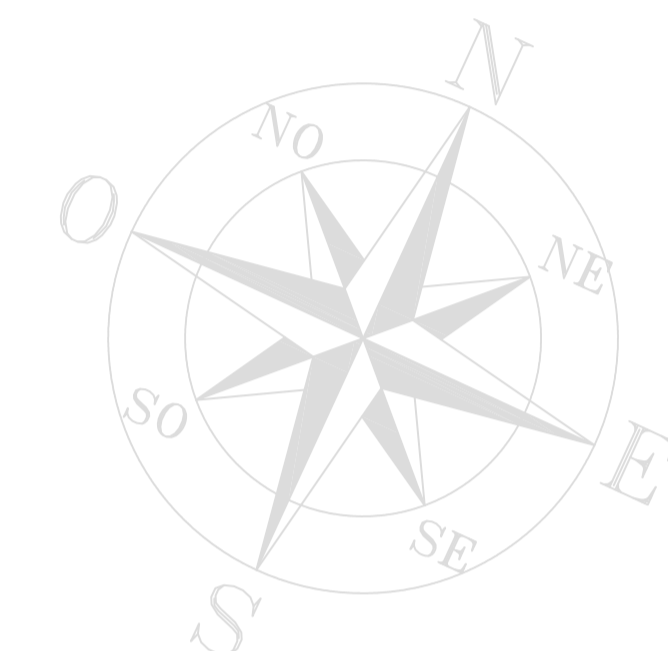
DRAWING TITLE:
CONTAINER BLOCK 2 FACADE

APPROVED BY:	
CHECKED BY:	
DESIGNED BY:	EULEX-BMS
SCALE:	1:100
UNITS:	cm
DRAWING NO:	A-04
DATE:	January 2013
	FORMAT A1

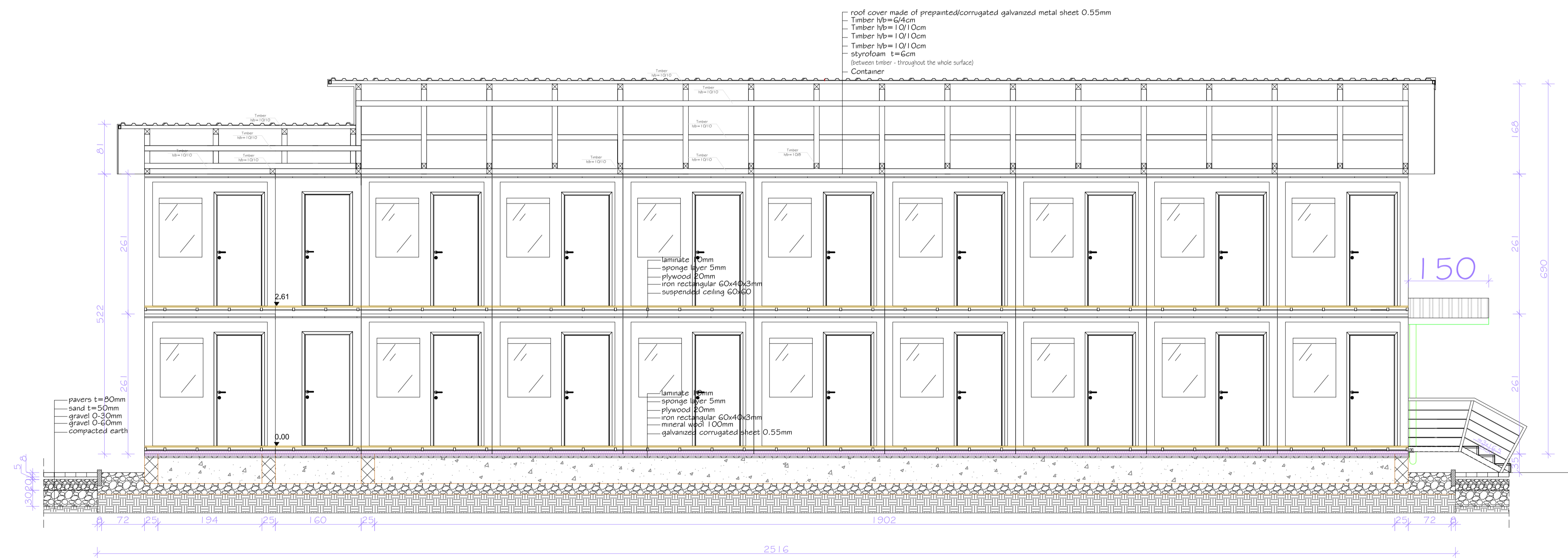




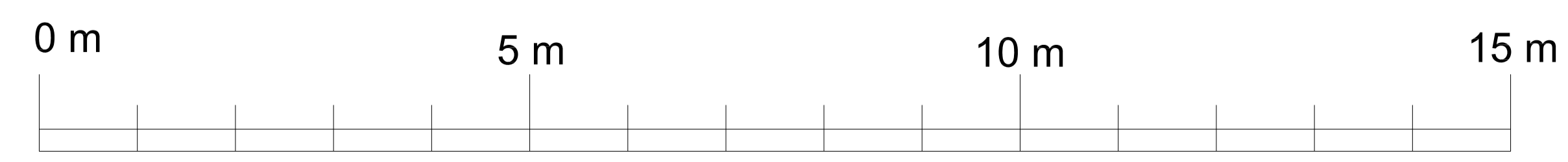
BUILDING MANAGEMENT SECTION
EULEX-KOSOVO



Section AA



Section BB

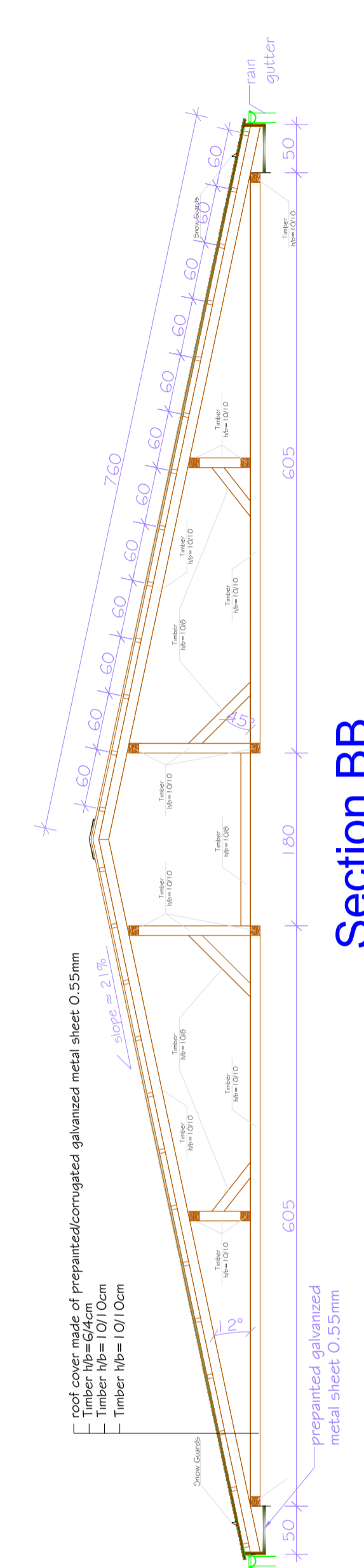
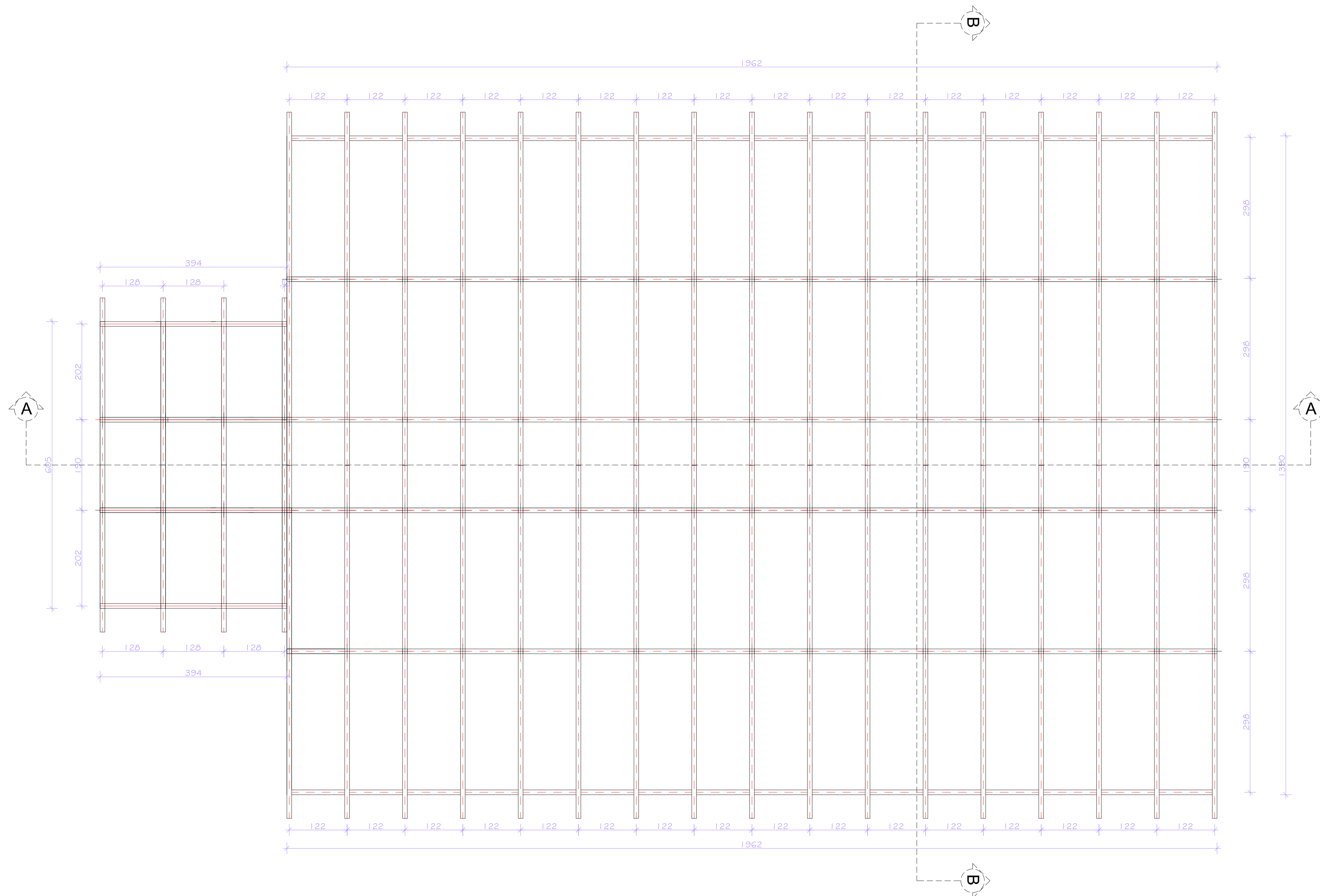


PROJECT TITLE:
New WH Compound

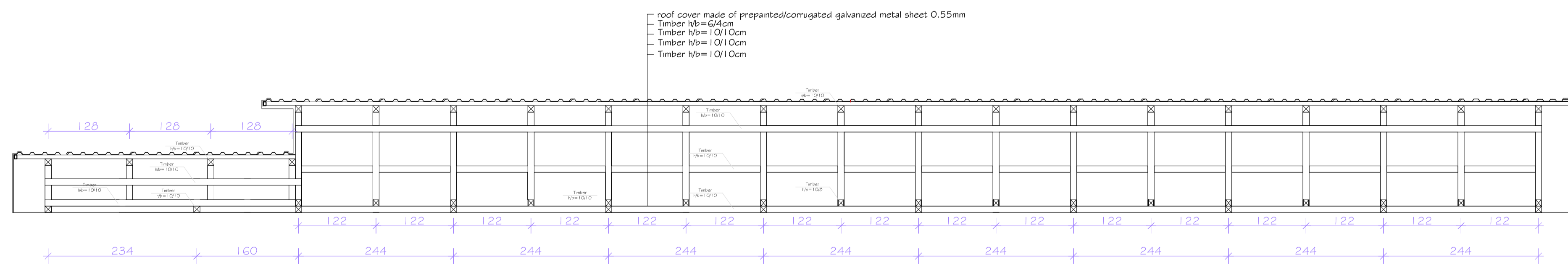
LOCATION: PRISHTINA

DRAWING TITLE:
BLOCK I&2 SECTIONS

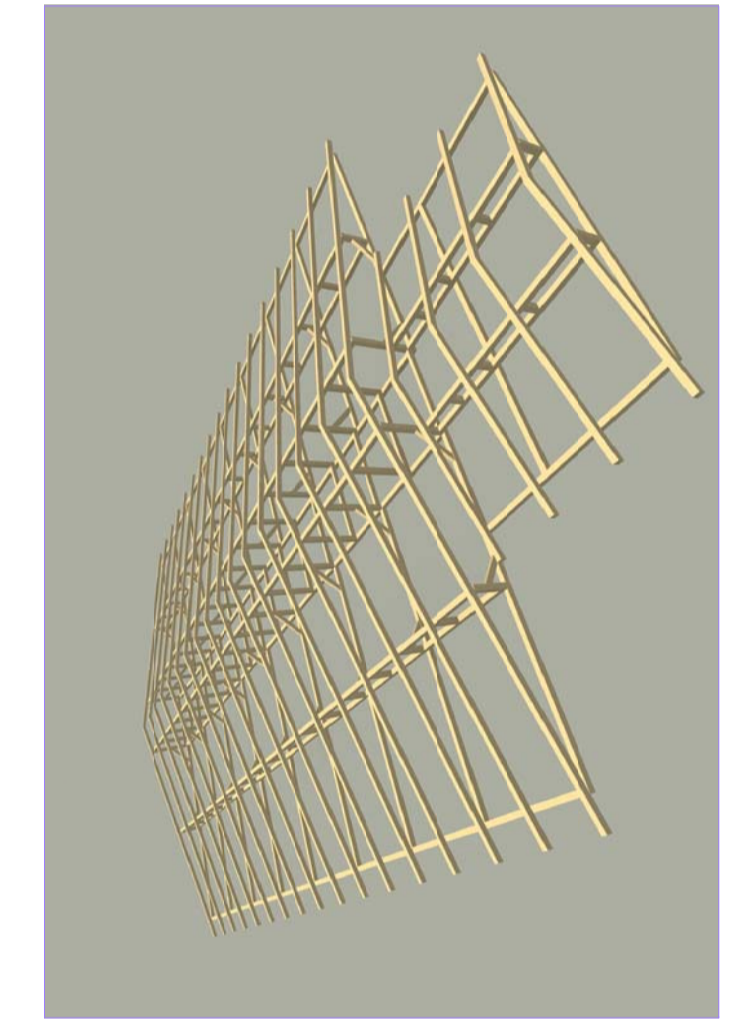
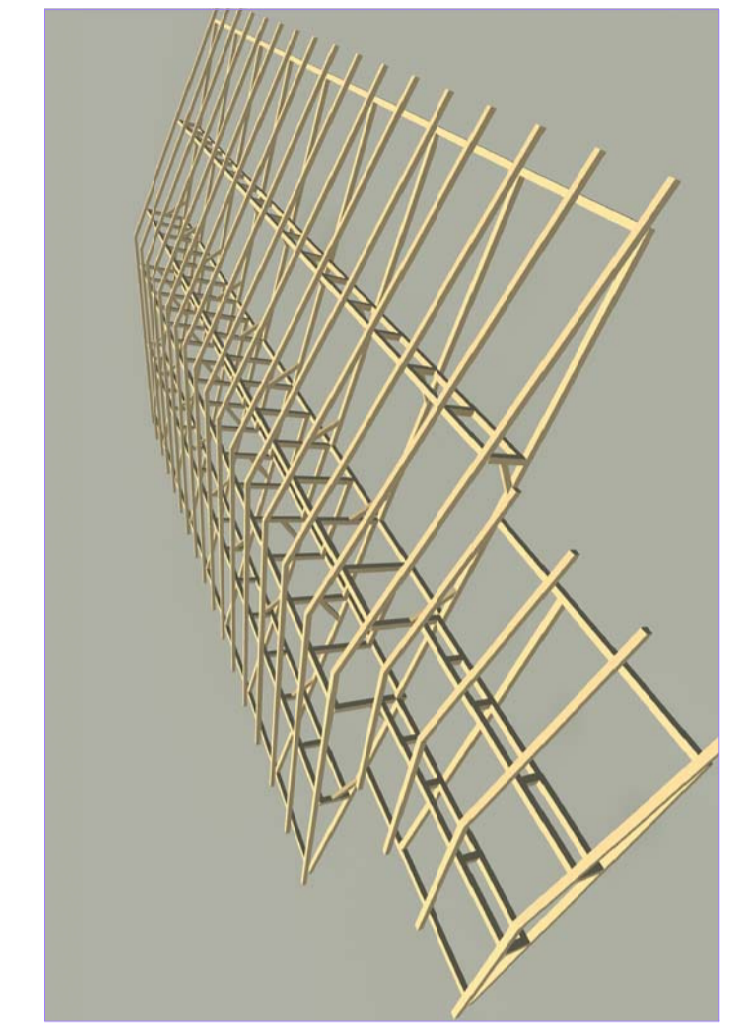
APPROVED BY:	
CHECKED BY:	
DESIGNED BY:	EULEX-BMS
SCALE:	1:100
UNITS:	cm
DRAWING NO:	A-05
DATE:	January 2013
	FORMAT A1



Section BB



Section AA



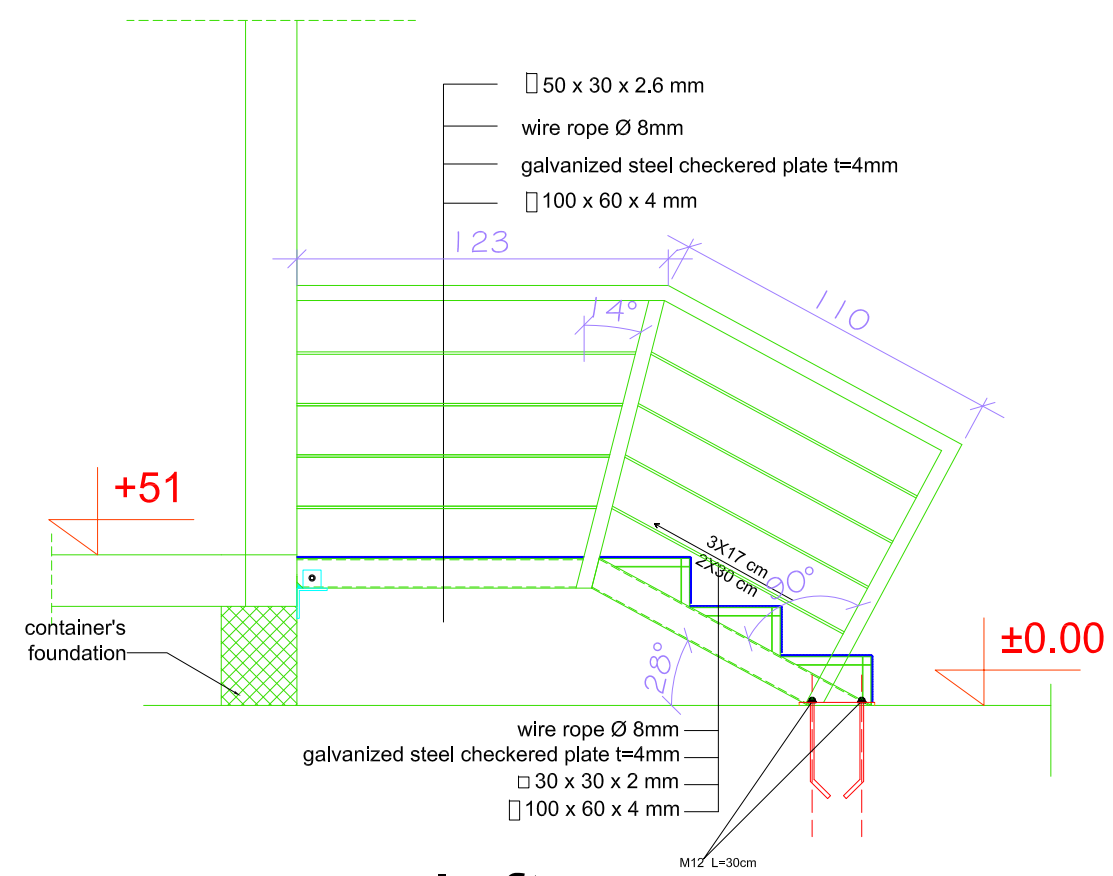
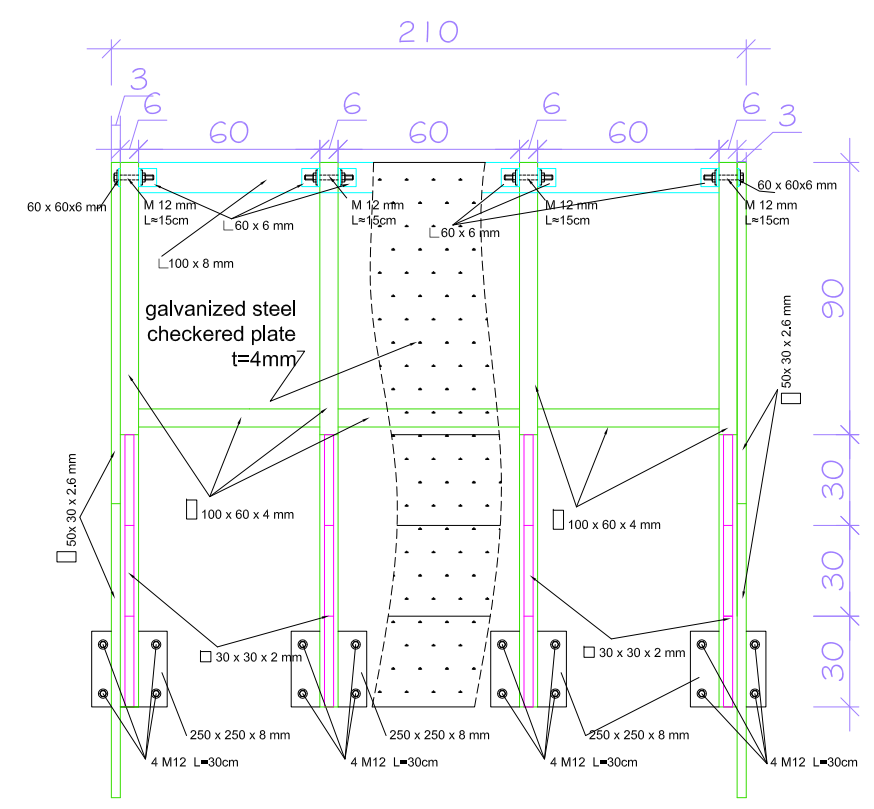
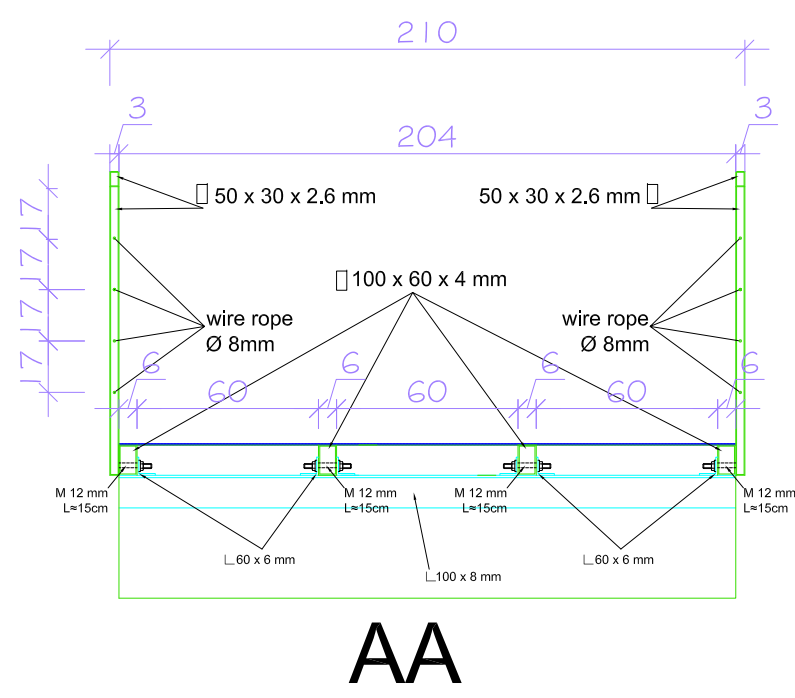
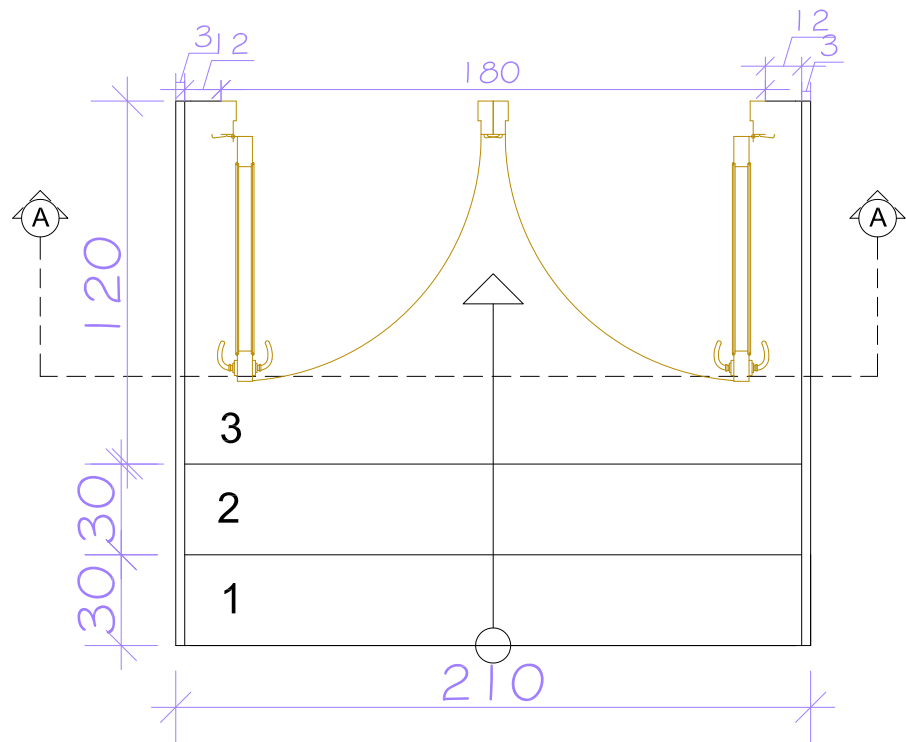
perspective views

PROJECT TITLE: 
New WH Compound

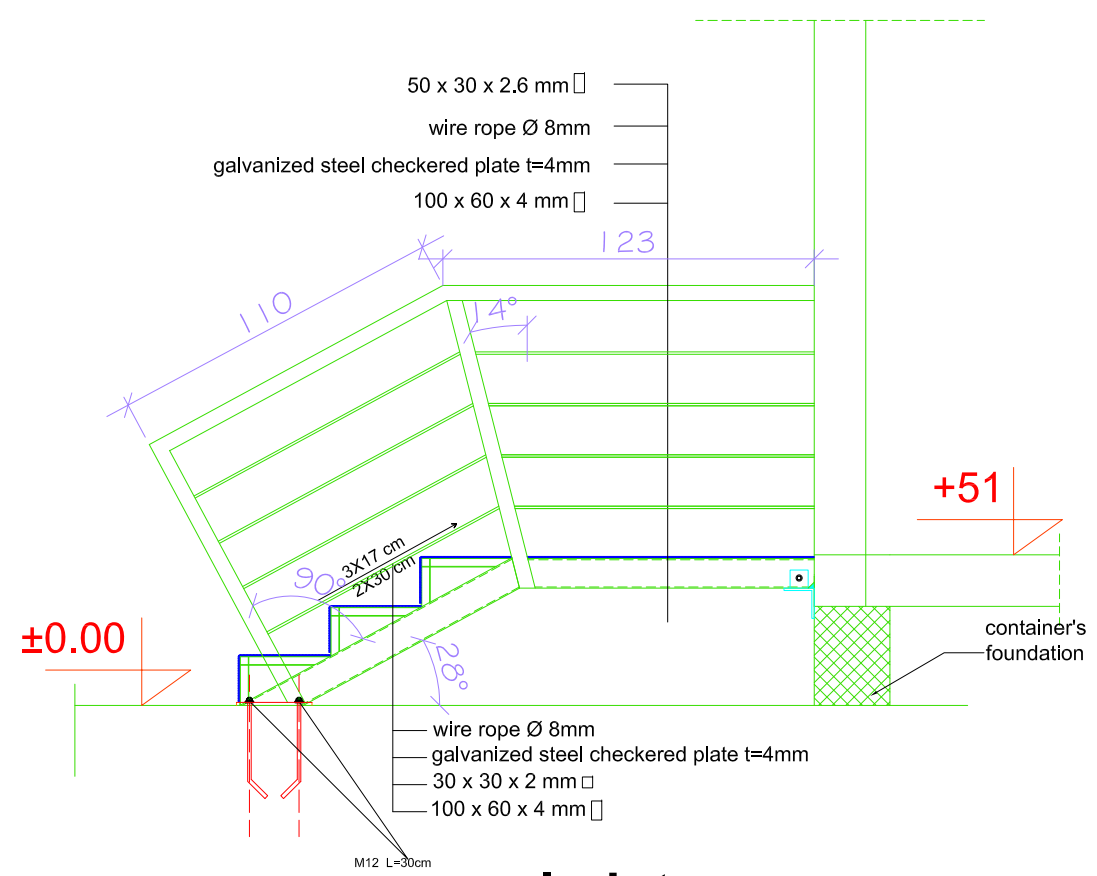
LOCATION: PRISHTINA

DRAWING TITLE:
BLOCK 1&2 ROOF

APPROVED BY:	
CHECKED BY:	
DESIGNED BY:	EULEX-BMS
SCALE:	1:50
UNITS:	cm
DRAWING NO:	A-06 FORMAT A1
DATE:	January 2013



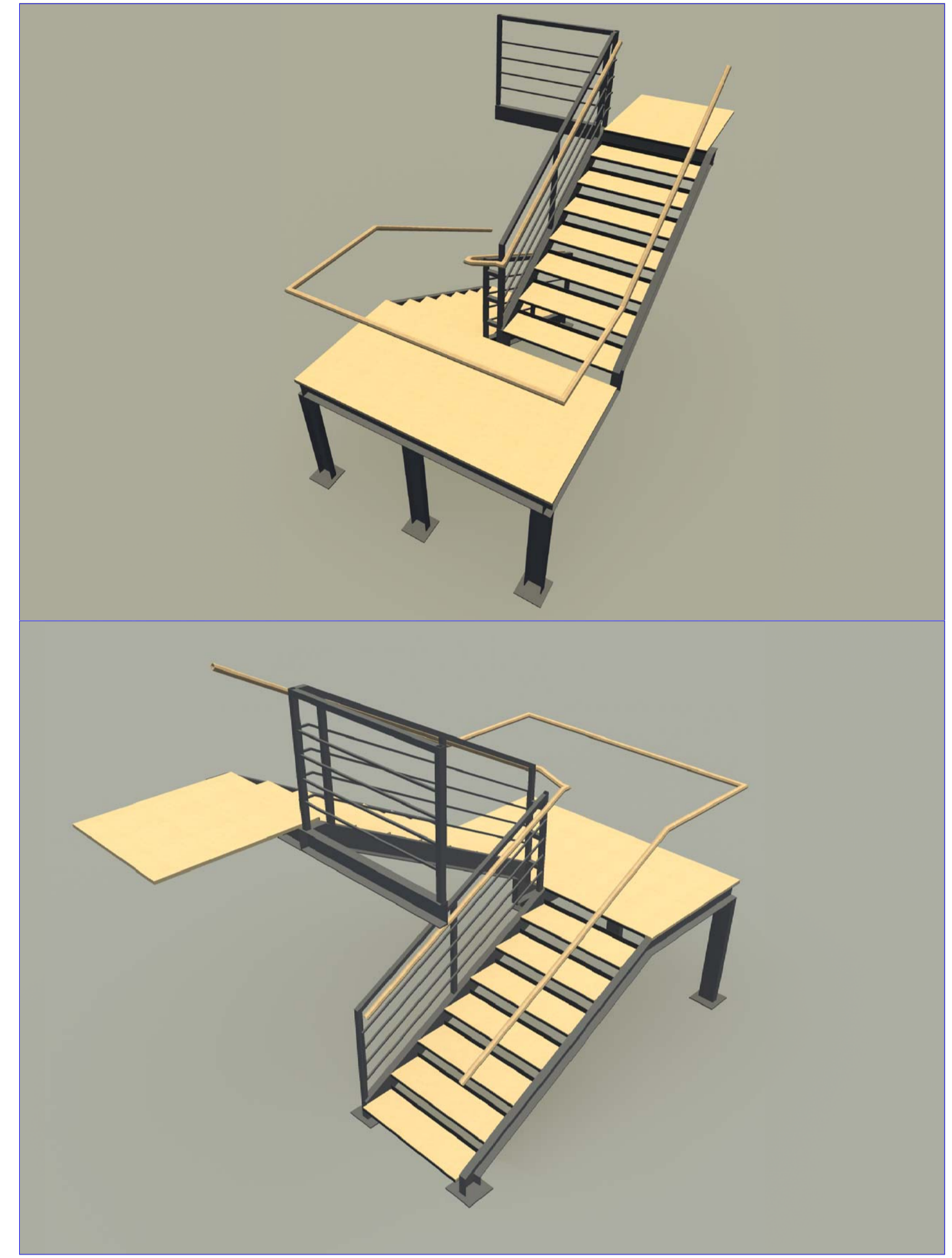
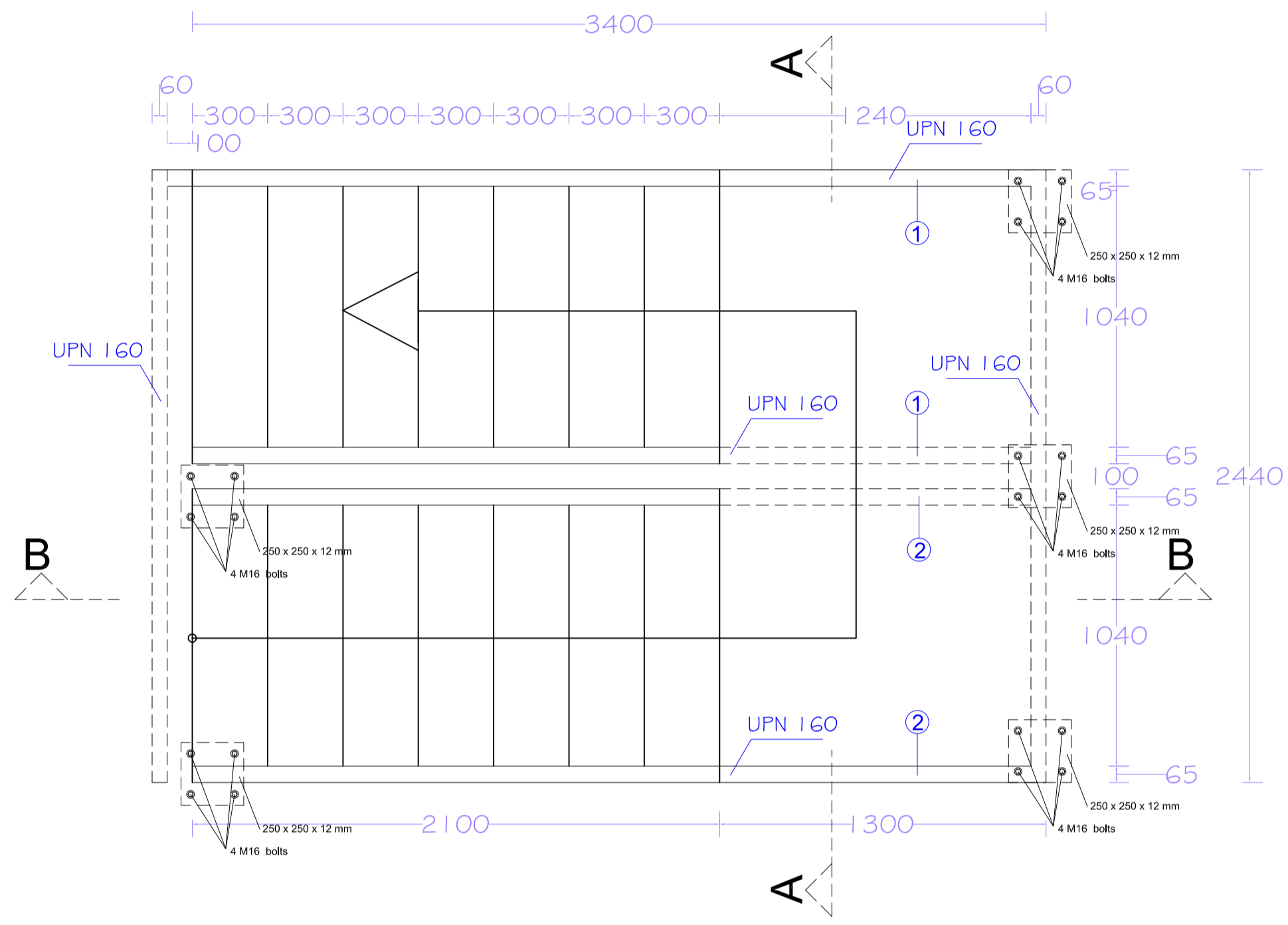
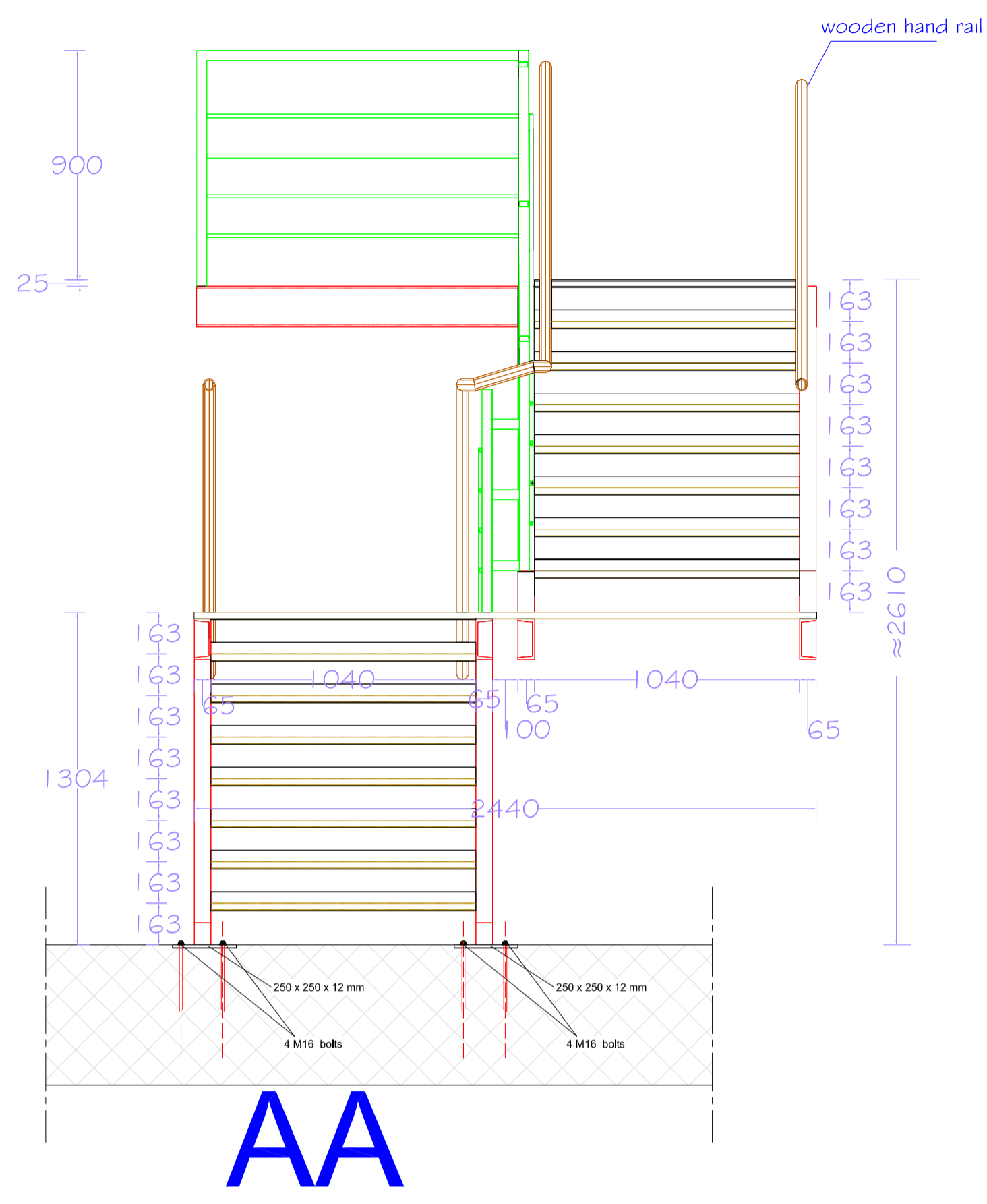
left



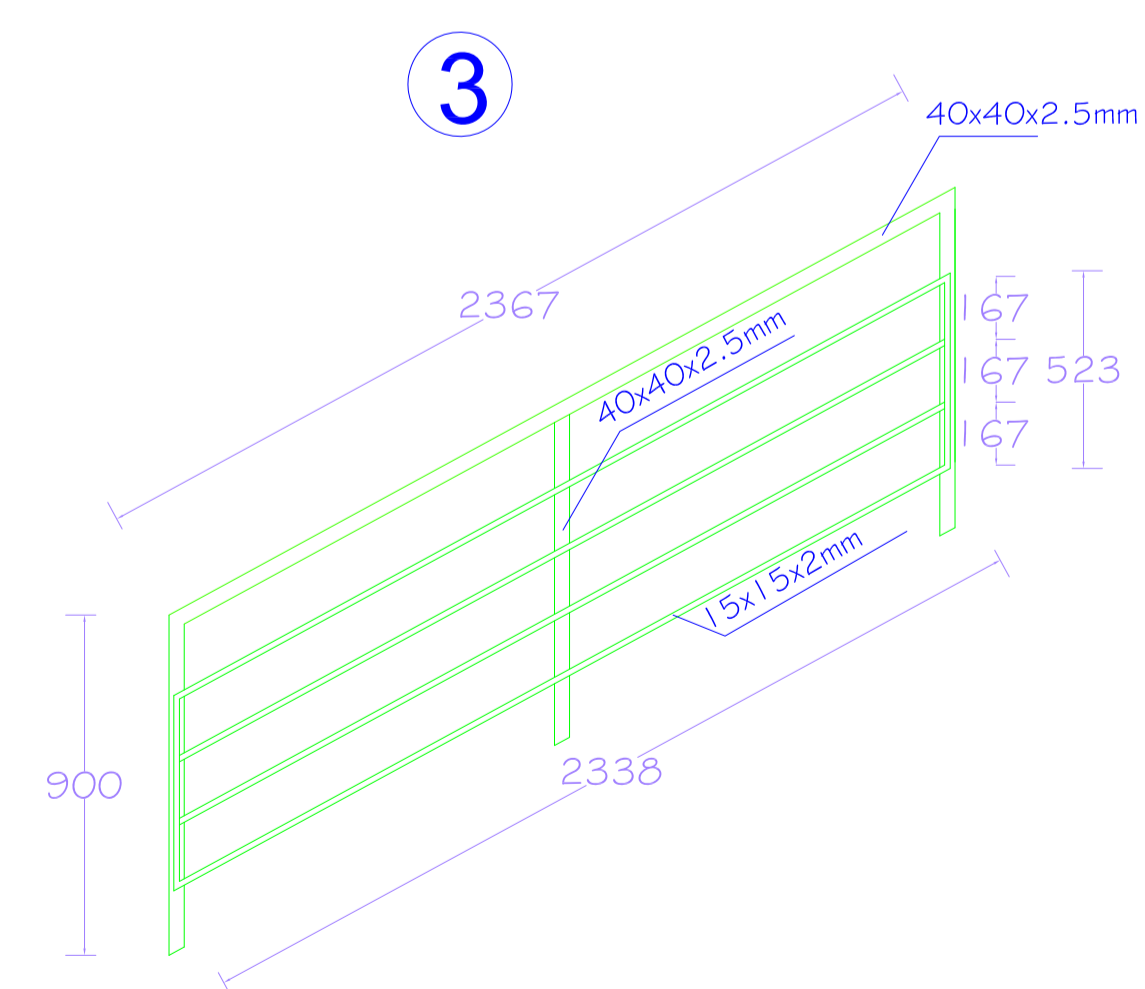
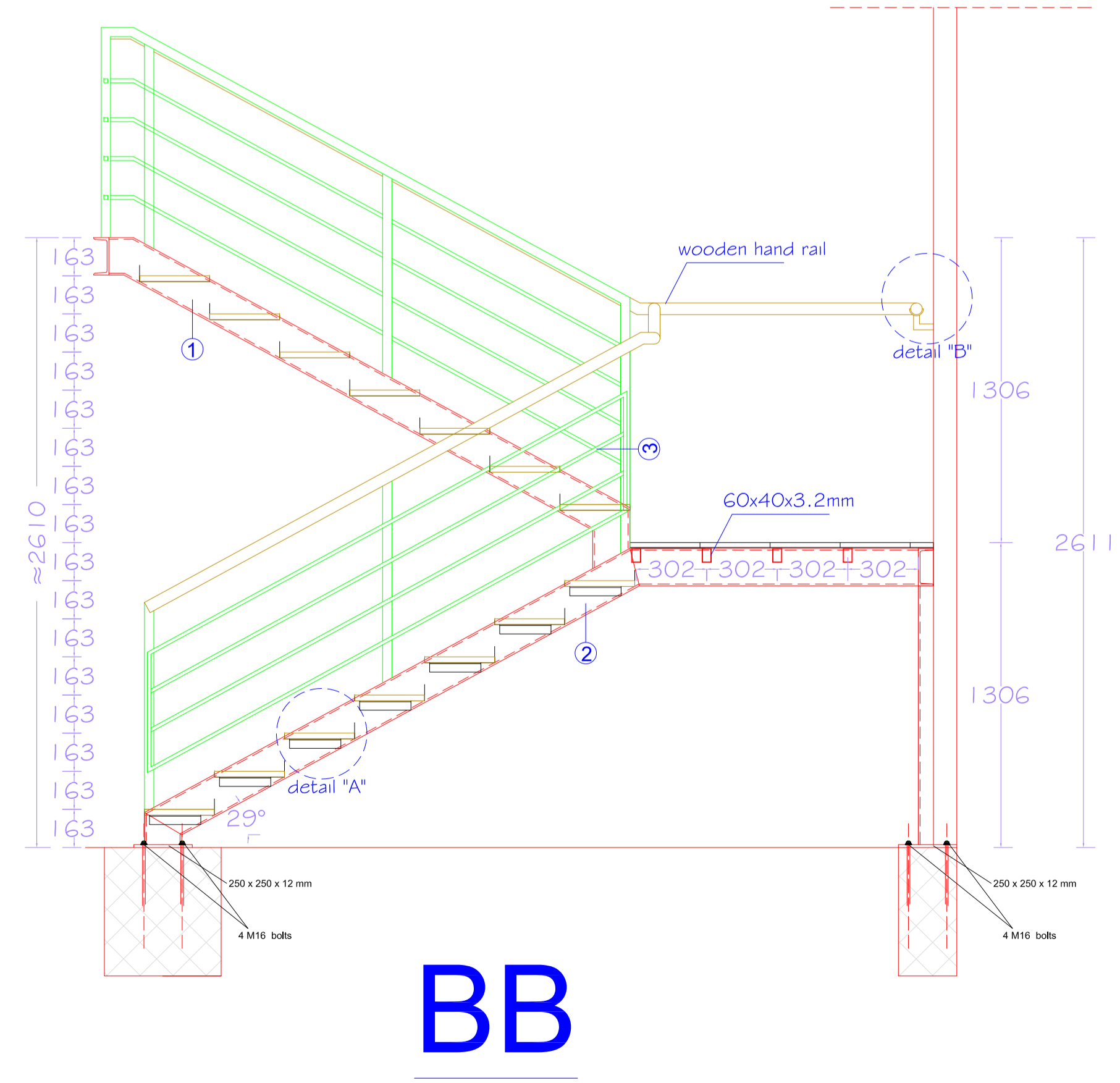
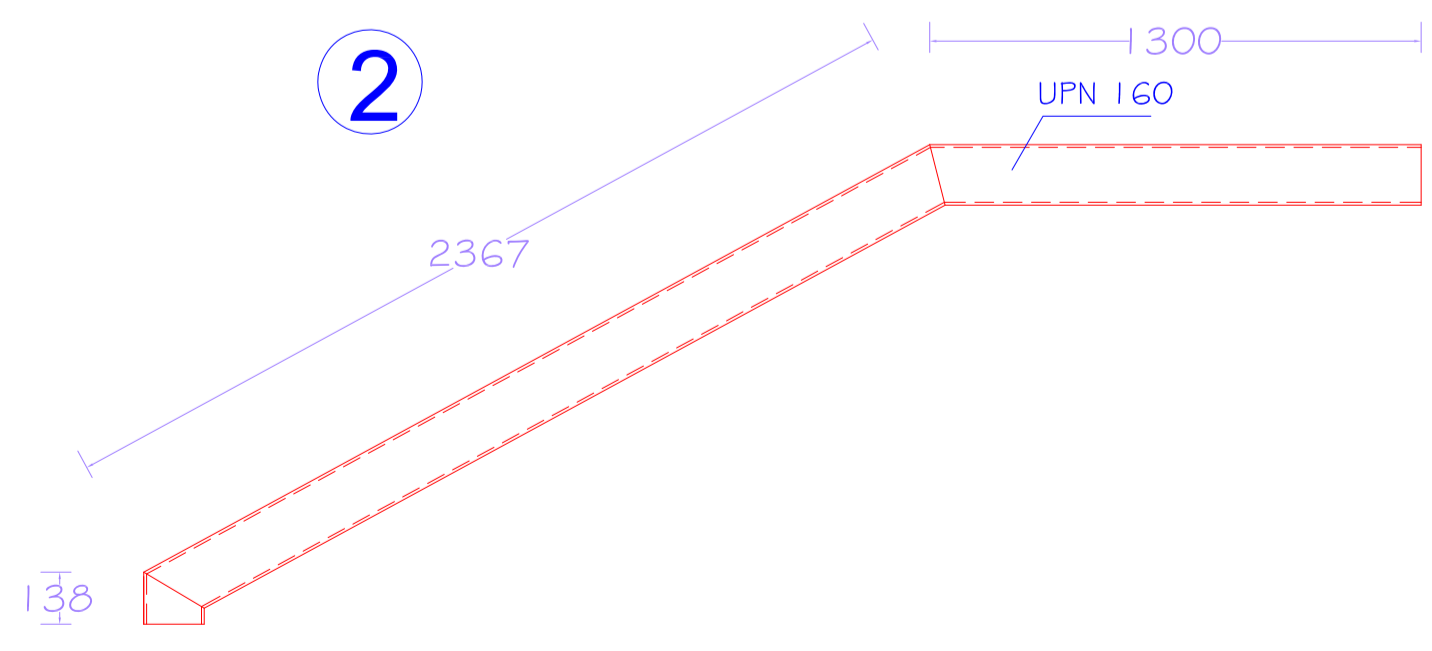
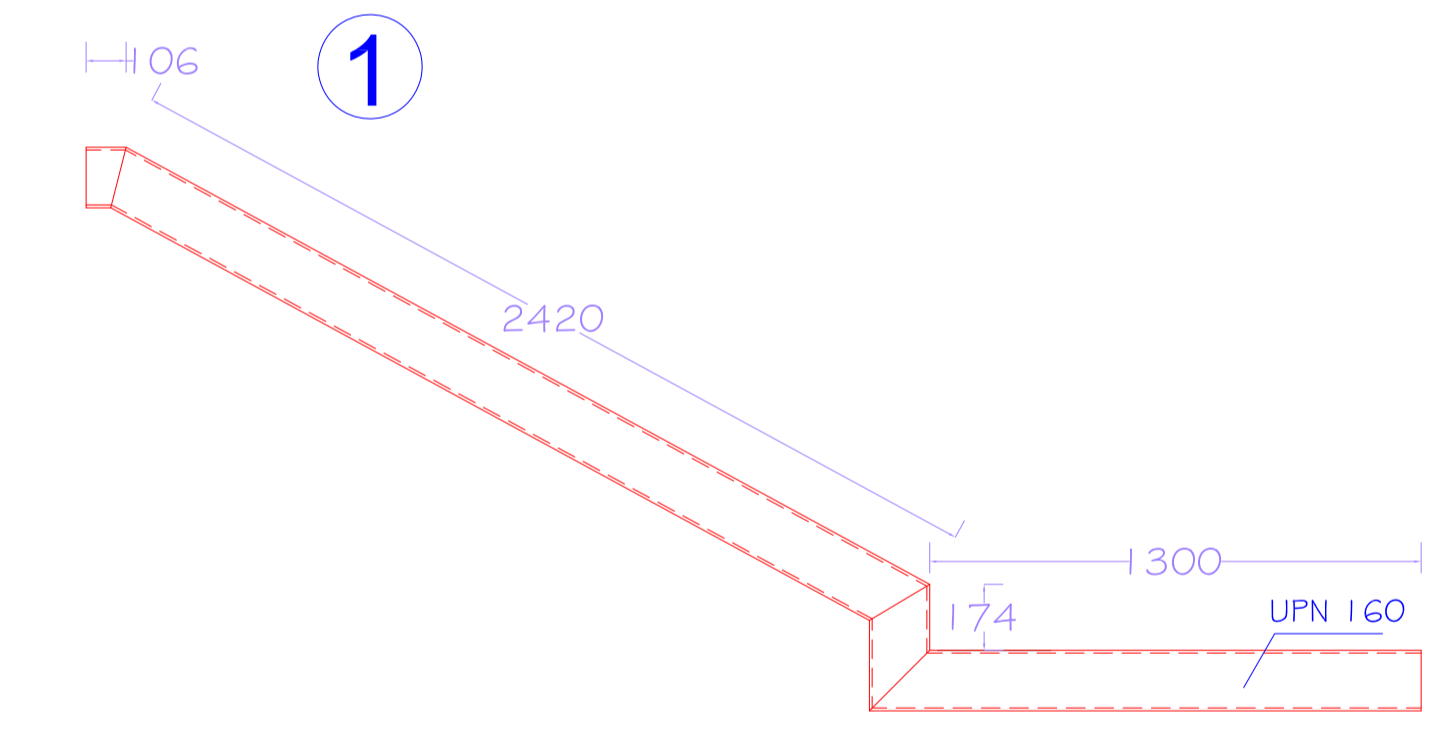
right

PROJECT TITLE:	EULEX
New WH Compound	
LOCATION:	PRISHTINA
DRAWING TITLE:	BLOCK 1&2 DETAILS/ENTRY STAIRS

APPROVED BY:	
CHECKED BY:	
DESIGNED BY:	EULEX-BMS
SCALE:	1:25
UNITS:	cm
DRAWING NO:	A-07
DATE:	January 2013

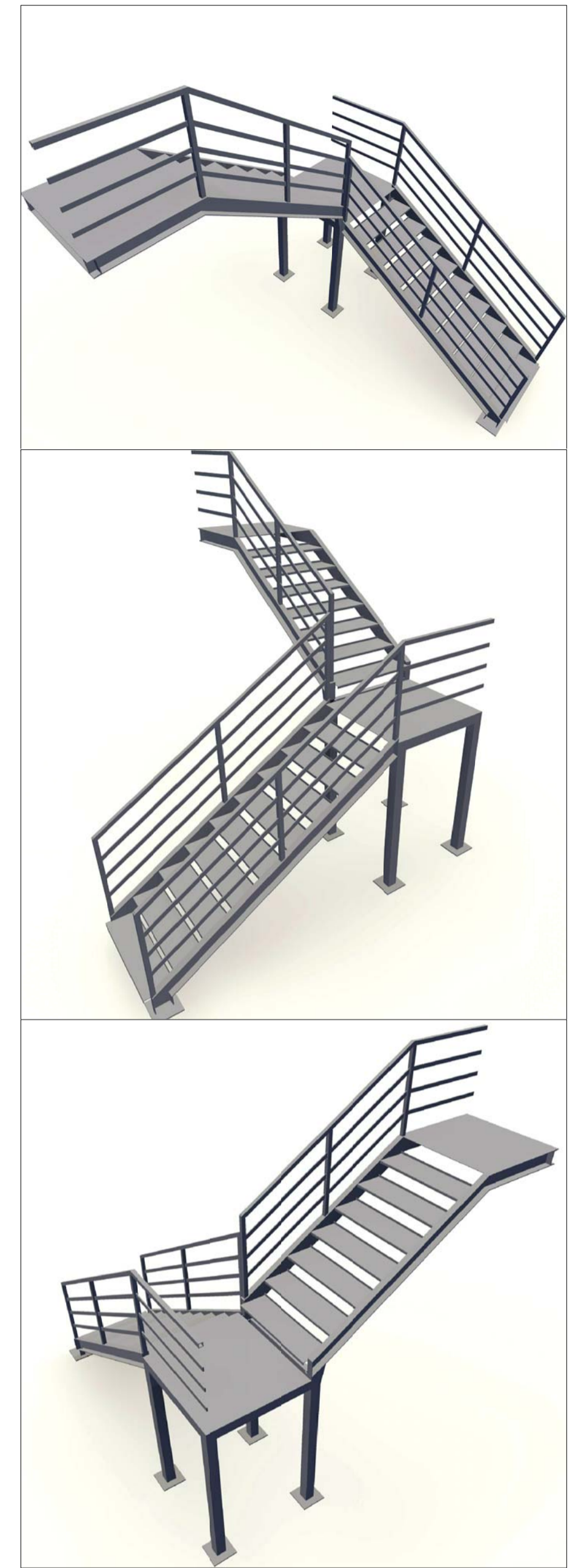
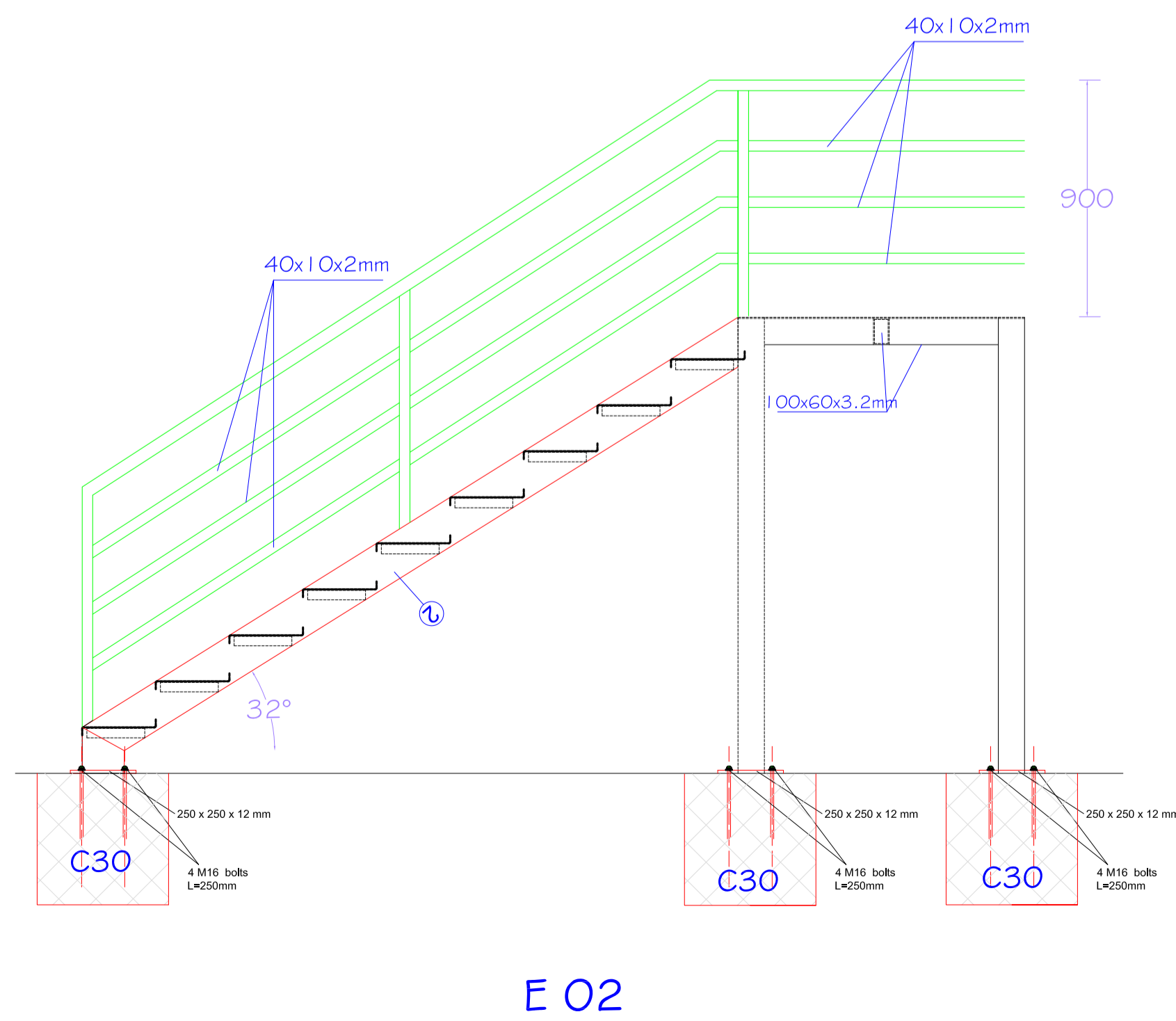
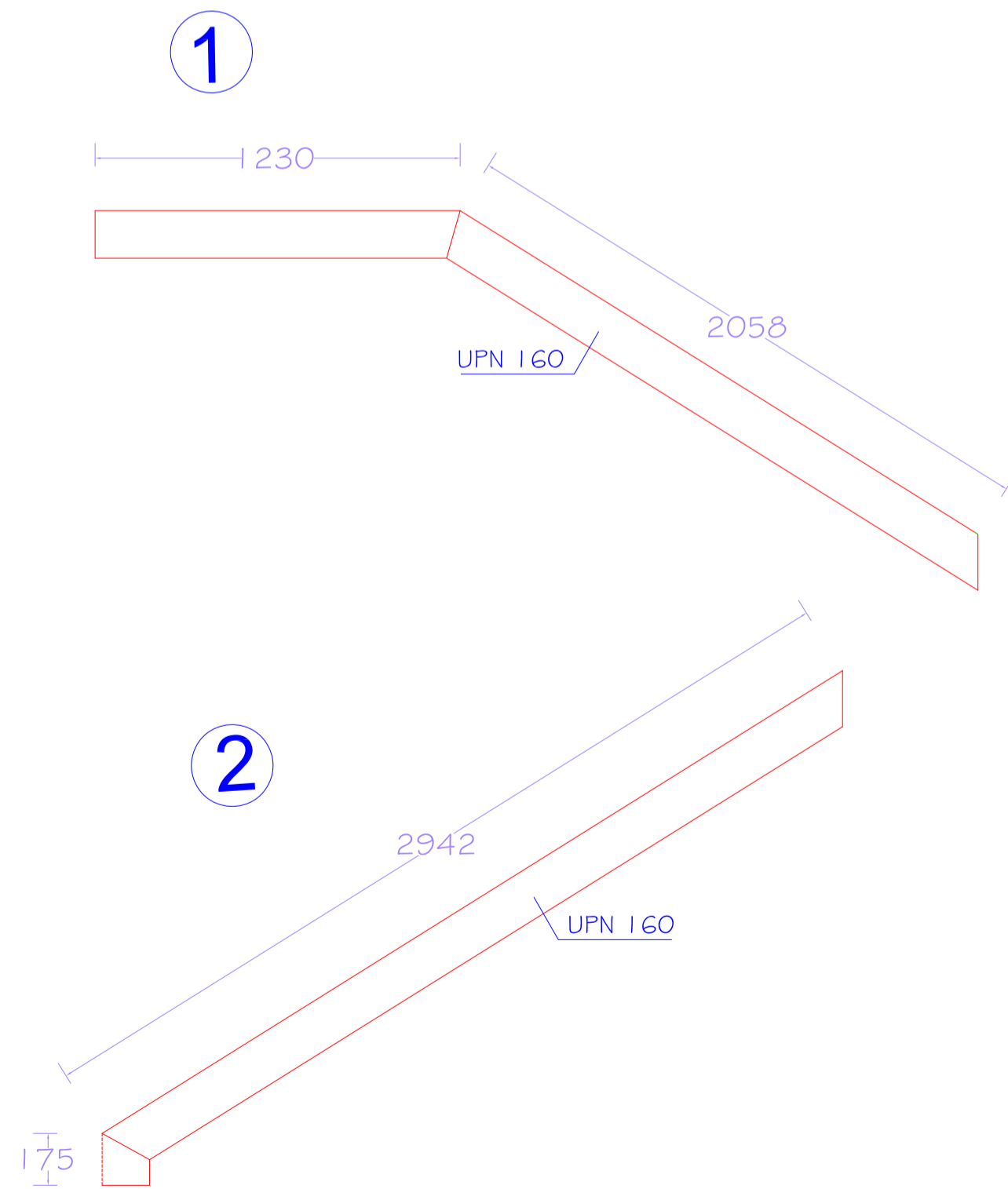
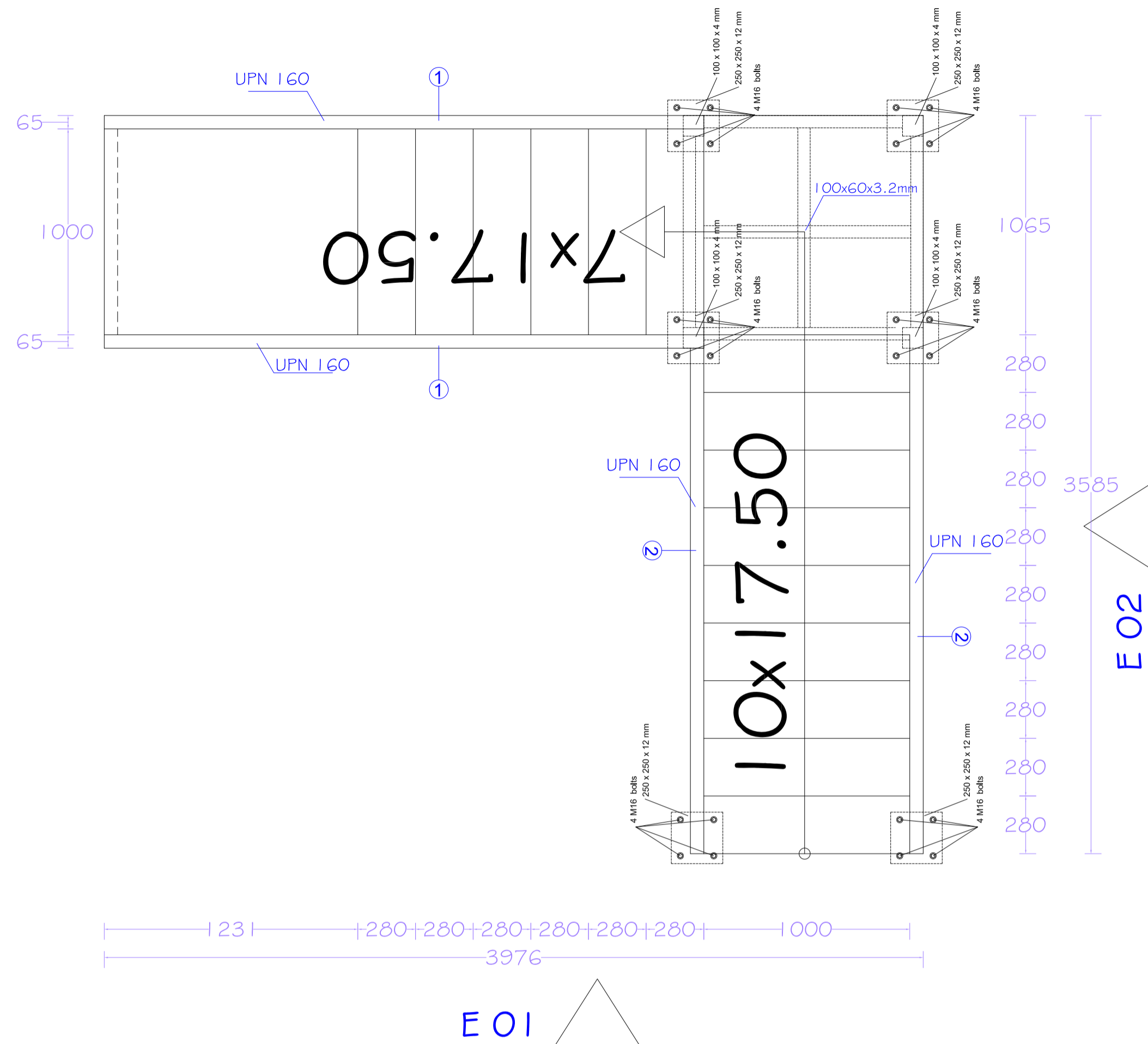
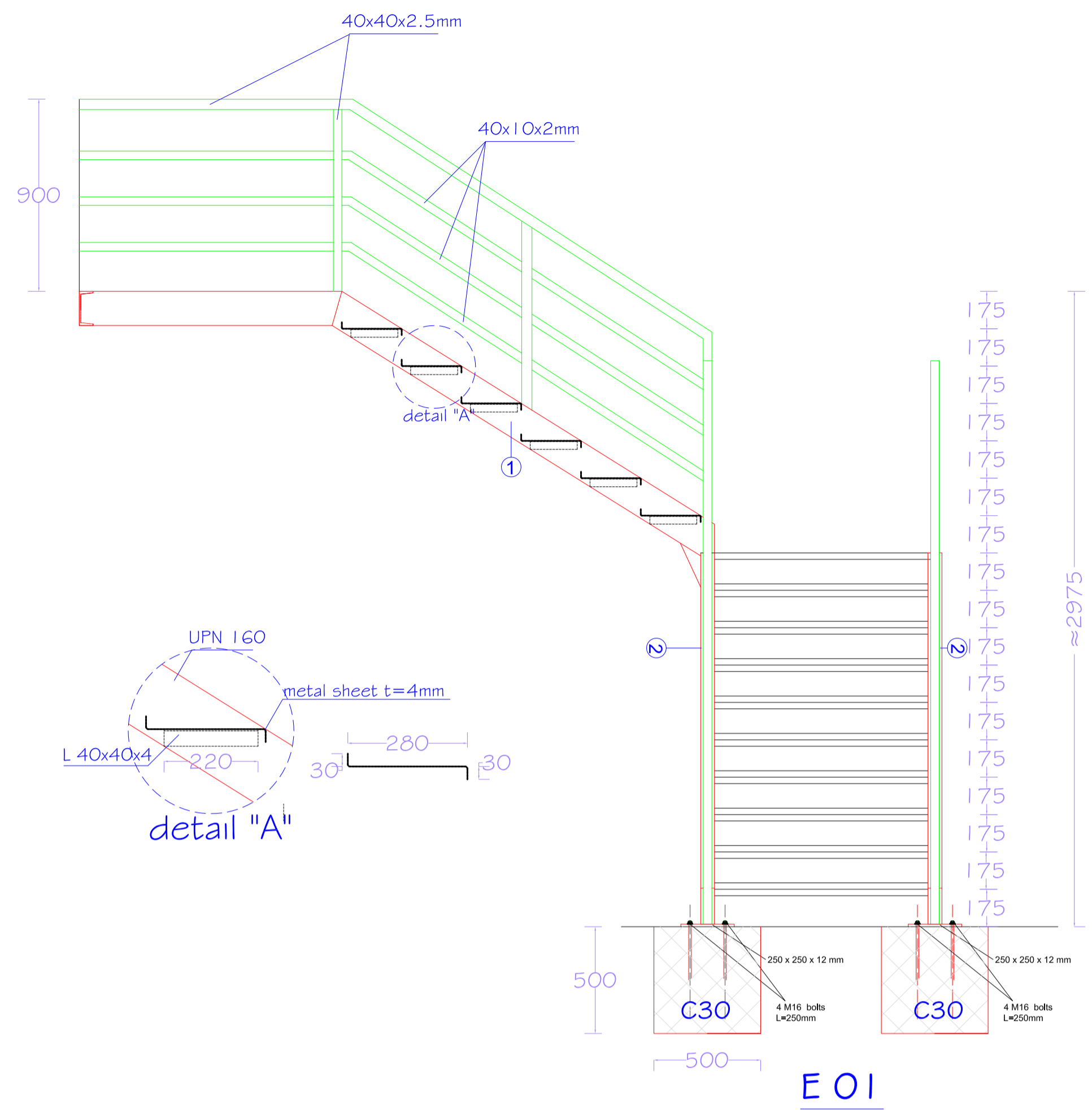


perspective views



PROJECT TITLE:	EULEX New WH Compound
LOCATION:	PRISHTINA
DRAWING TITLE:	BLOCK 1&2 STAIRS

APPROVED BY:	
CHECKED BY:	
DESIGNED BY:	EULEX-BMS
SCALE:	1:20
UNITS:	mm
DRAWING NO:	A-08
DATE:	January 2013
FORMAT:	A1



perspective views

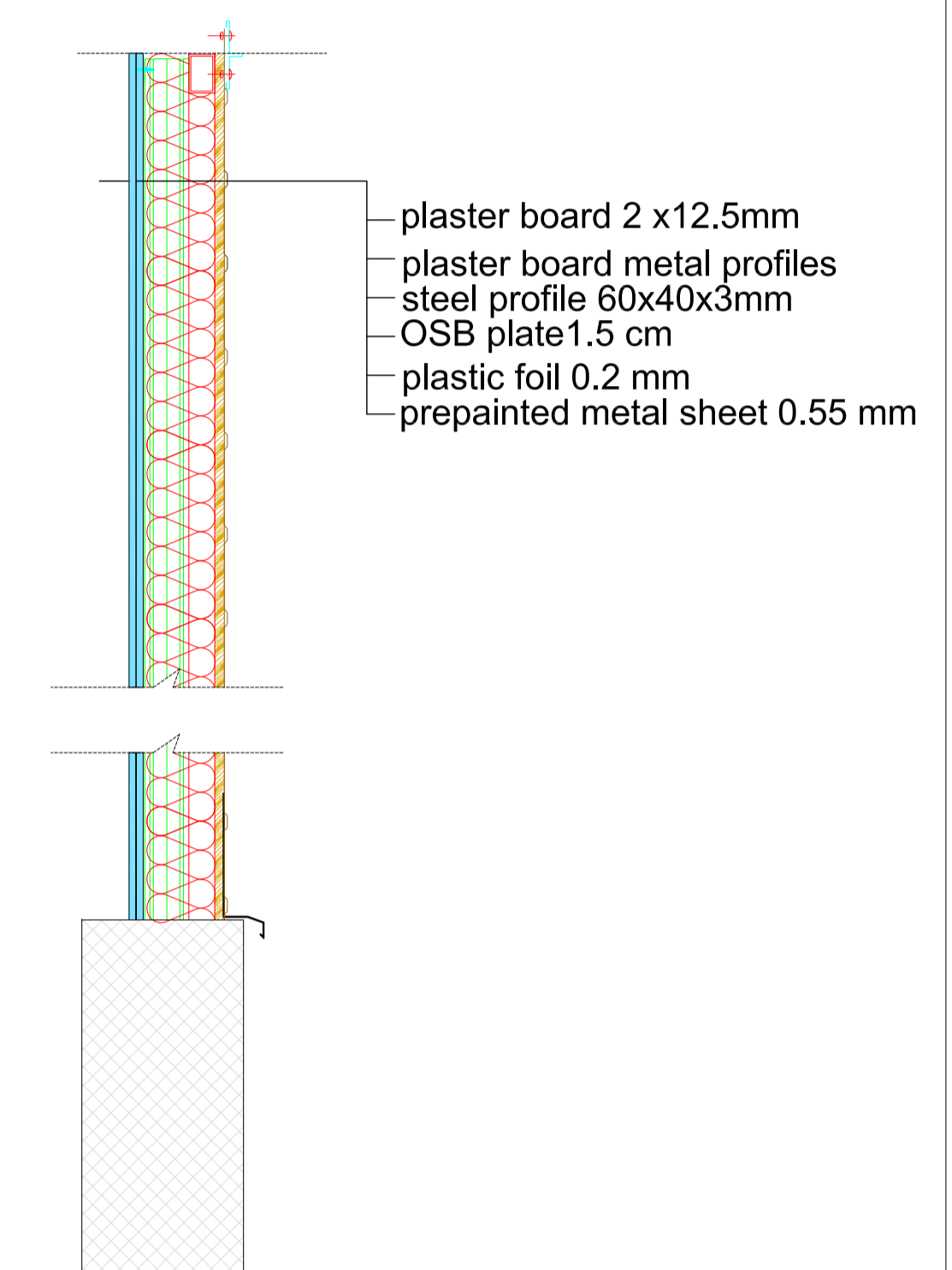
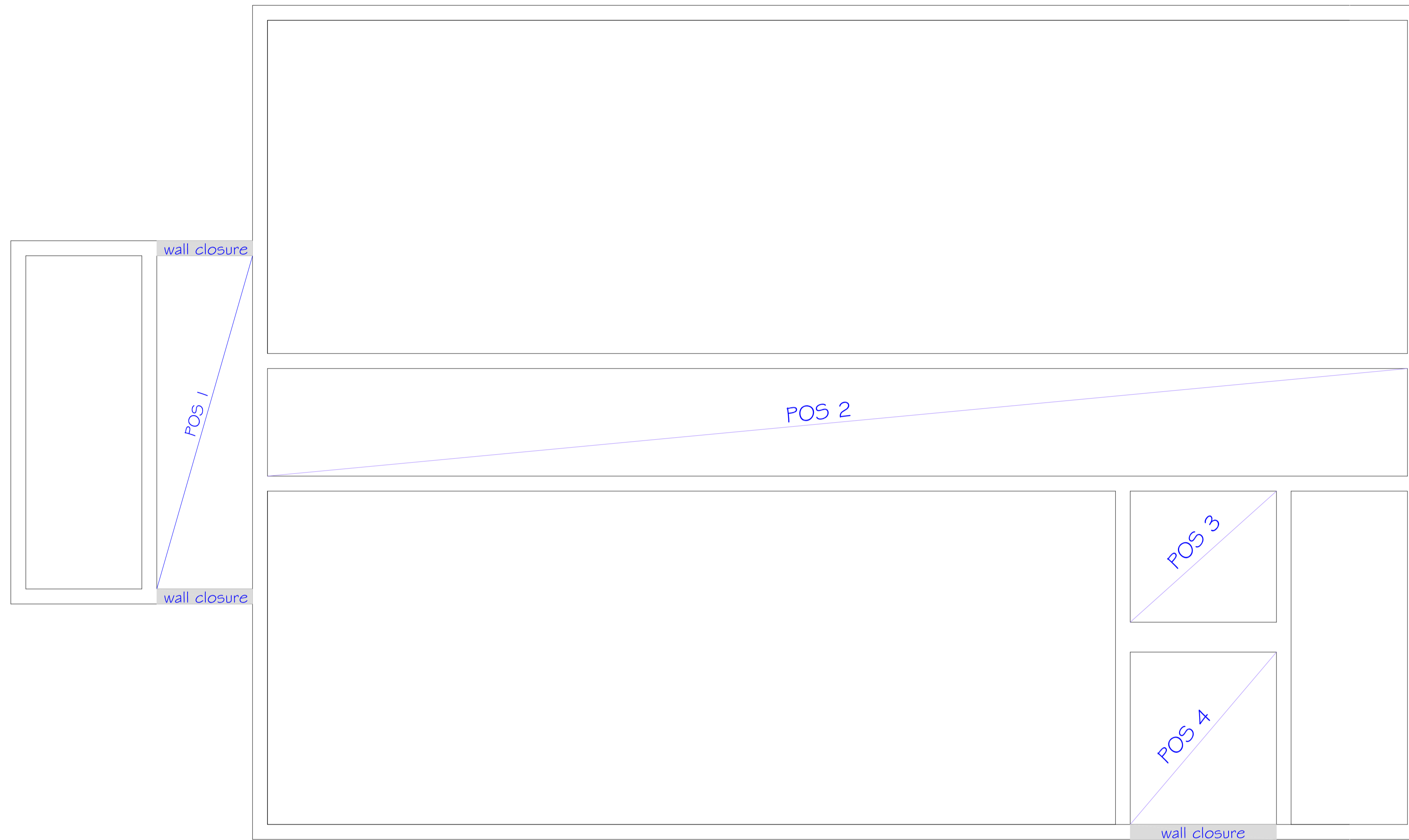
PROJECT TITLE:
New WH Compound



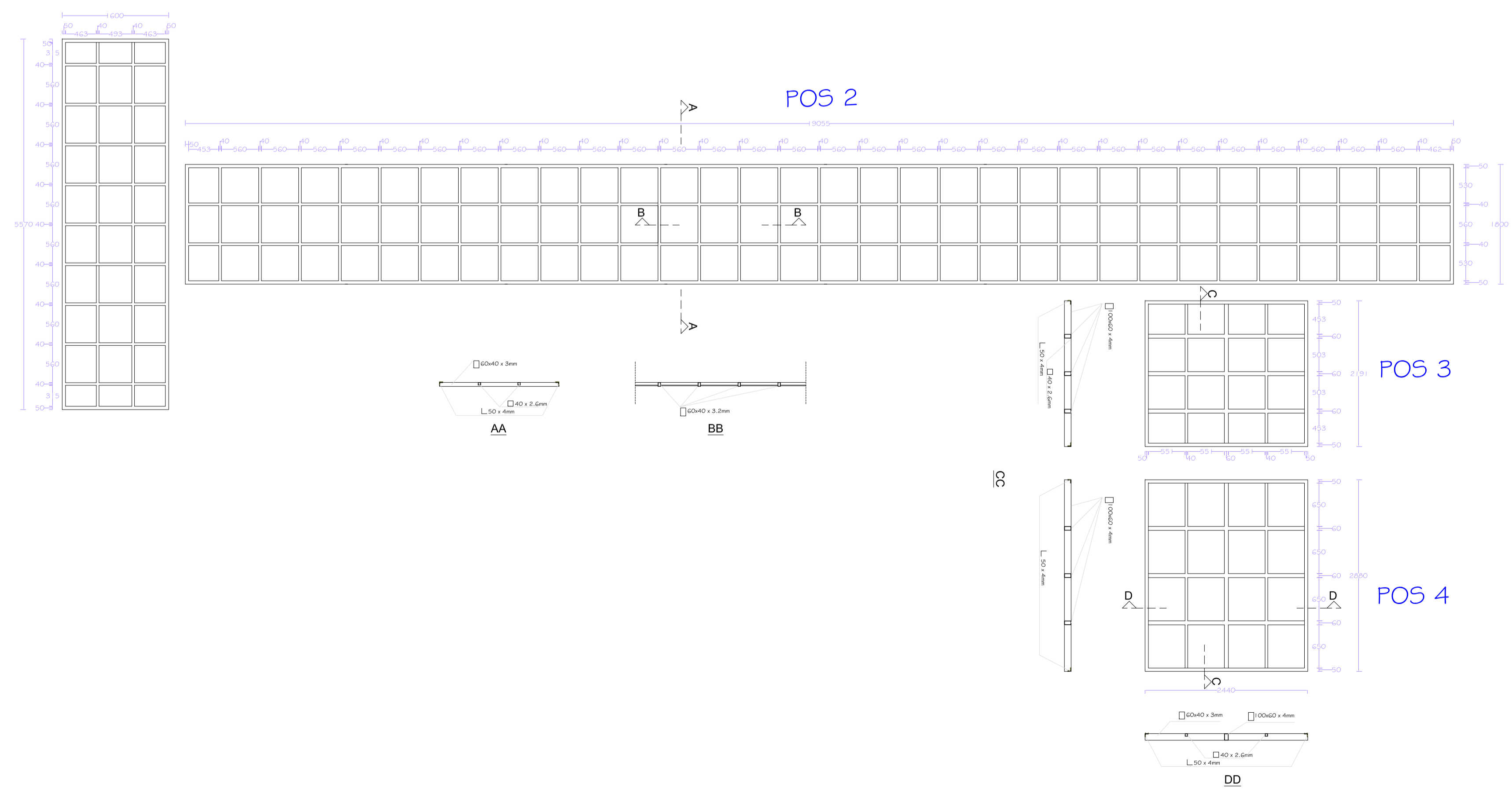
LOCATION: PRISHTINA


DRAWING TITLE:
BLOCK 1&2 EMERGENCY STAIRS

APPROVED BY:	
CHECKED BY:	
DESIGNED BY:	EULEX-BMS
SCALE:	1:20
UNITS:	mm
DRAWING NO:	A-09
DATE:	January 2013
	FORMAT A1



wall closure detail
S = 1:10



PROJECT TITLE: 
New WH Compound

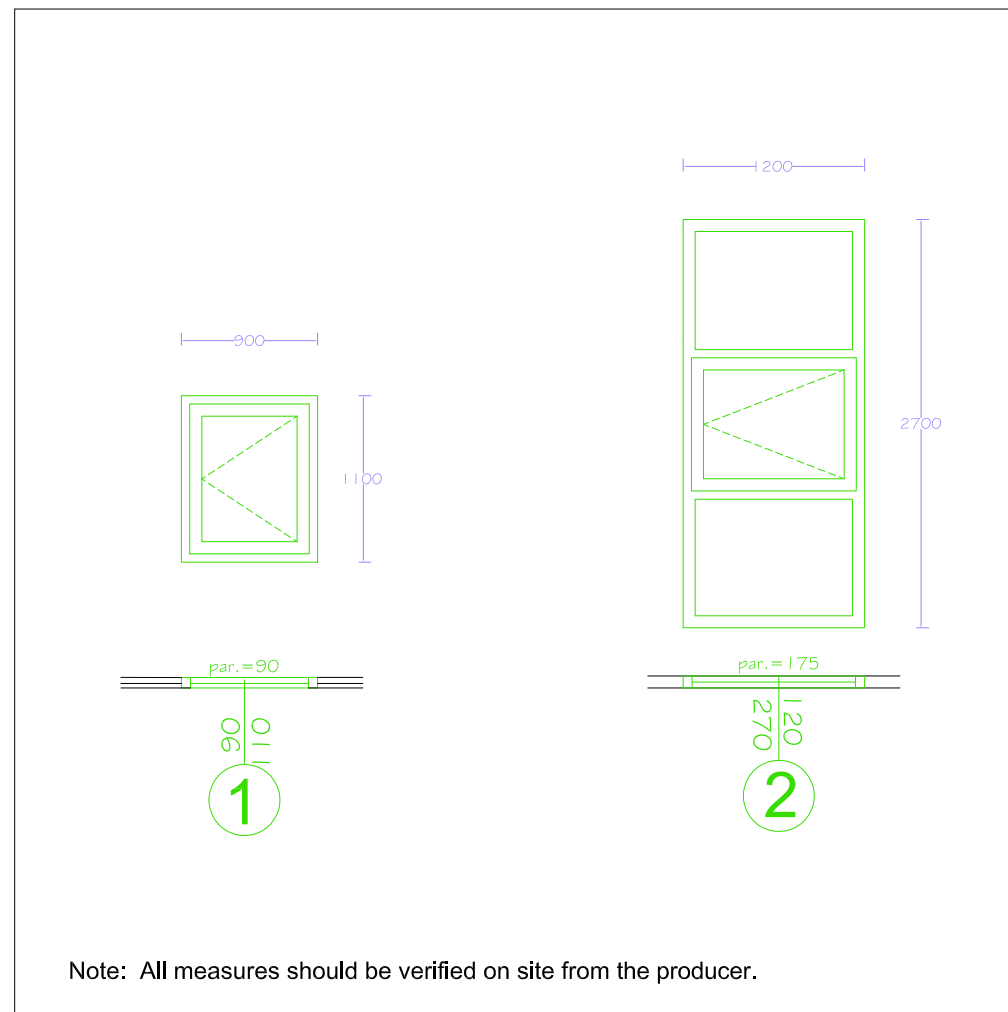
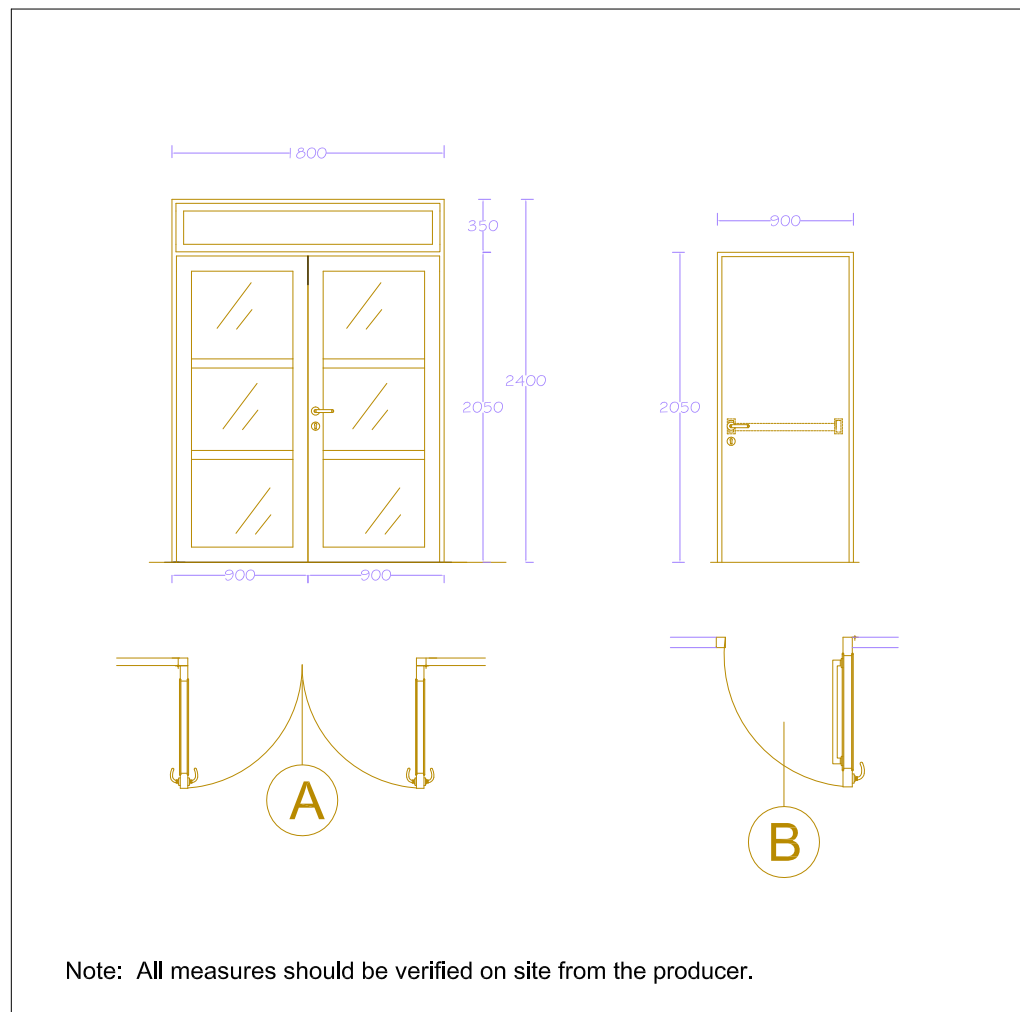
LOCATION: PRISHTINA


DRAWING TITLE:
BLOCK 1&2
FLOORING STRUCTURE/WALL CLOSURE DETAILS

APPROVED BY:	
CHECKED BY:	
DESIGNED BY:	EULEX-BMS
SCALE:	1:50
UNITS:	mm
DRAWING NO:	A-10
DATE:	January 2013
	FORMAT A1

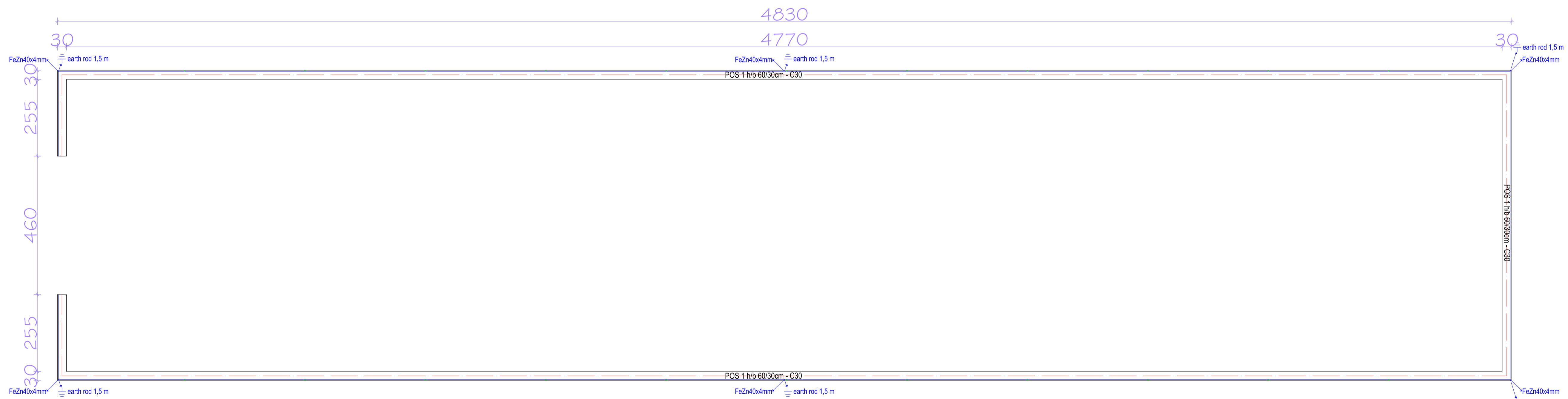
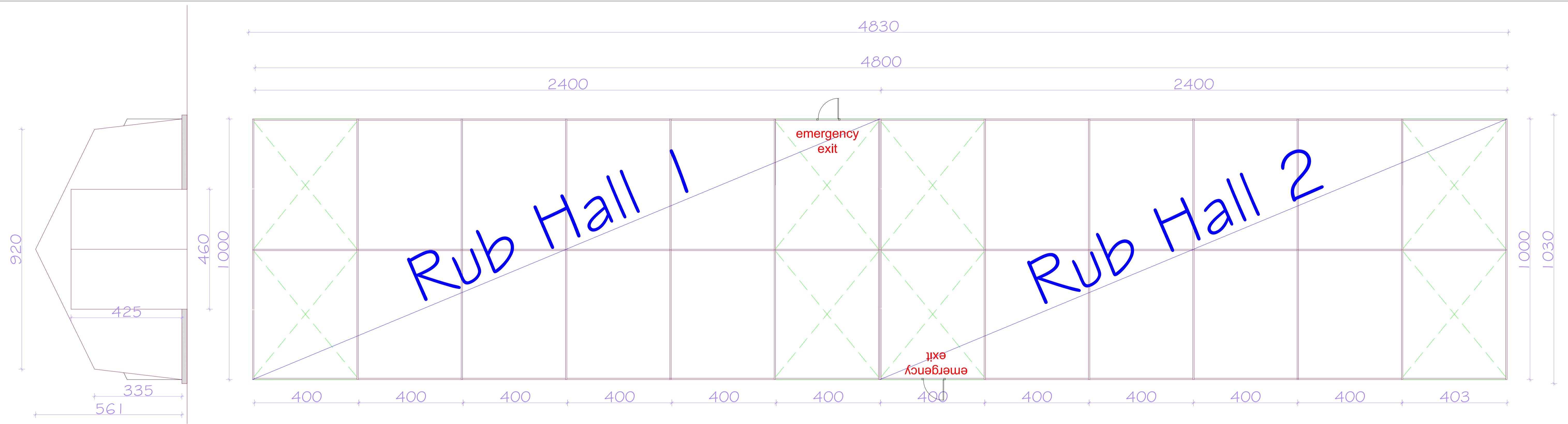
width:	180 cm	pcs - 4	width:	90 cm	pcs - 4
height:	240 cm		height:	205 cm	
Pos.	A Entrance Door		Pos.	B Emergency Door panic bar fitted	
Glass: double, fully insulated, with noise reduction and thermal protection, 6+16+6mm			Glass: N/A		
Material: PVC profiles			Material: Metal solid door		

width:	90 cm	pcs - 6	width:	120 cm	pcs - 4
height:	100 cm		height:	270 cm	
Pos.	1 window		Pos.	2 window	
Glass: double, fully insulated, with noise reduction and thermal protection, 6+16+6mm			Glass: double, fully insulated, with noise reduction and thermal protection, 6+16+6mm		
Material: PVC profiles			Material: PVC Profiles		

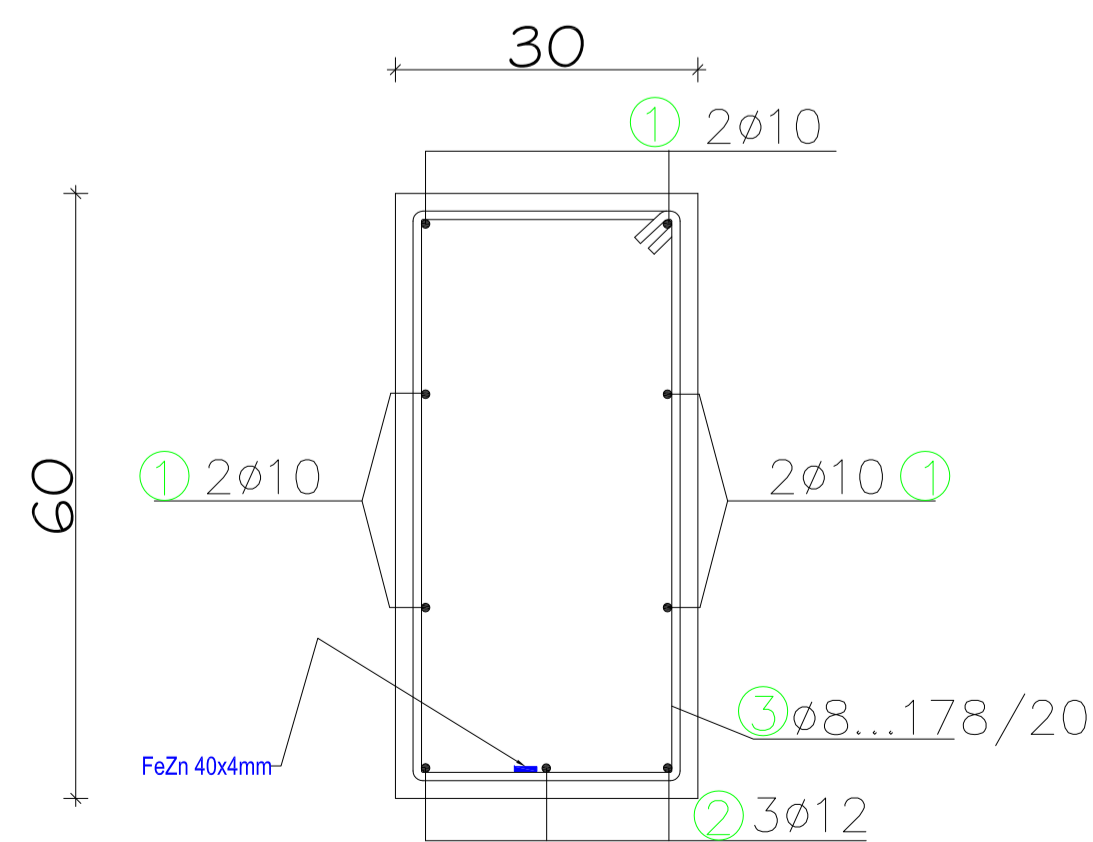


PROJECT TITLE: New WH Compound	
LOCATION: PRISHTINA	
DRAWING TITLE: BLOCK 1&2 DOORS & WINDOWS	

APPROVED BY:	
CHECKED BY:	
DESIGNED BY:	EULEX-BMS
SCALE:	1:50
UNITS	cm
DRAWING NO:	A-11
DATE:	January 2013
	FORMAT A3



POS1
strip foundation section h/b 60/30 - C30



specification POS 1							
#	form and length	Ø	L(m)	EA	total length(m)	kg/m'	weight(kg)
1	1200	10	12	60	720	0.65	468
2	1200	12	12	30	360	0.92	331.2
3	<div style="display: flex; align-items: center; justify-content: center;"> <div style="border: 1px solid black; padding: 2px; margin-right: 5px;">9</div> <div style="border: 1px solid black; padding: 2px; margin-right: 5px;">55</div> <div style="border: 1px solid black; padding: 2px; margin-right: 5px;">25</div> </div>	8	1.78	580	1032.2	0.41	423.84
total							1223.0

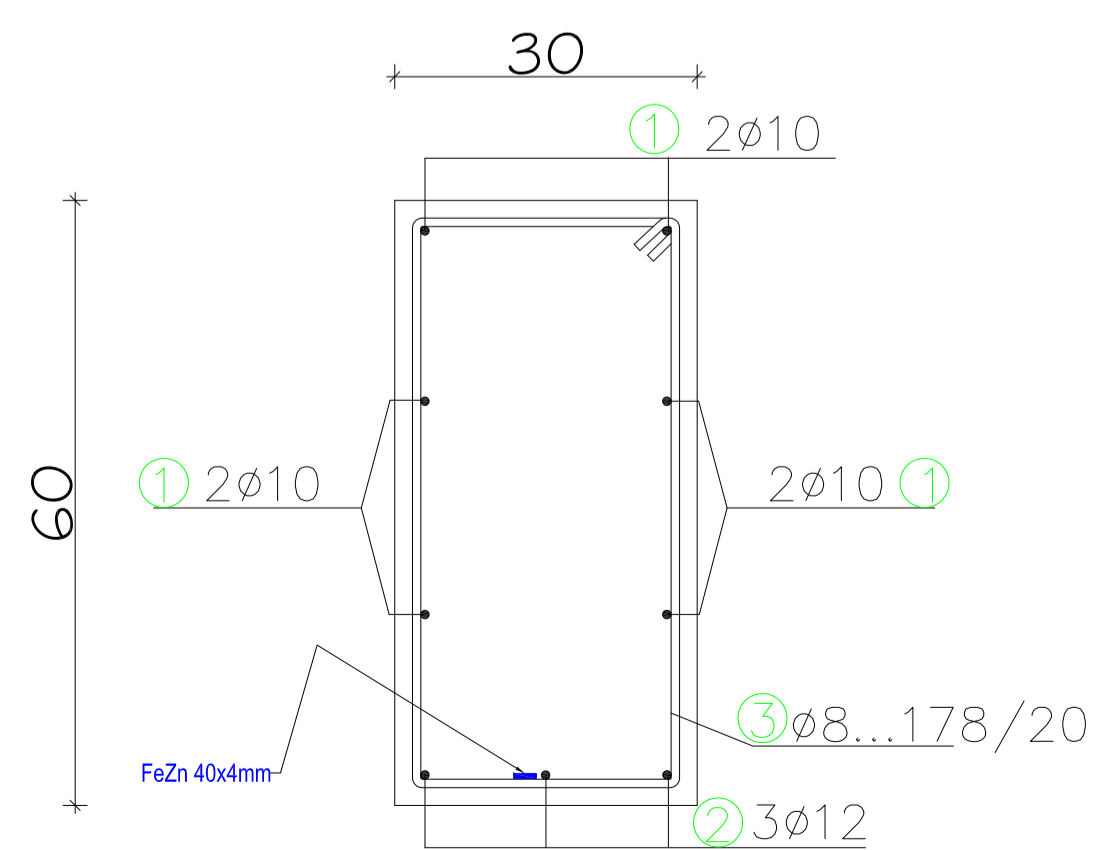
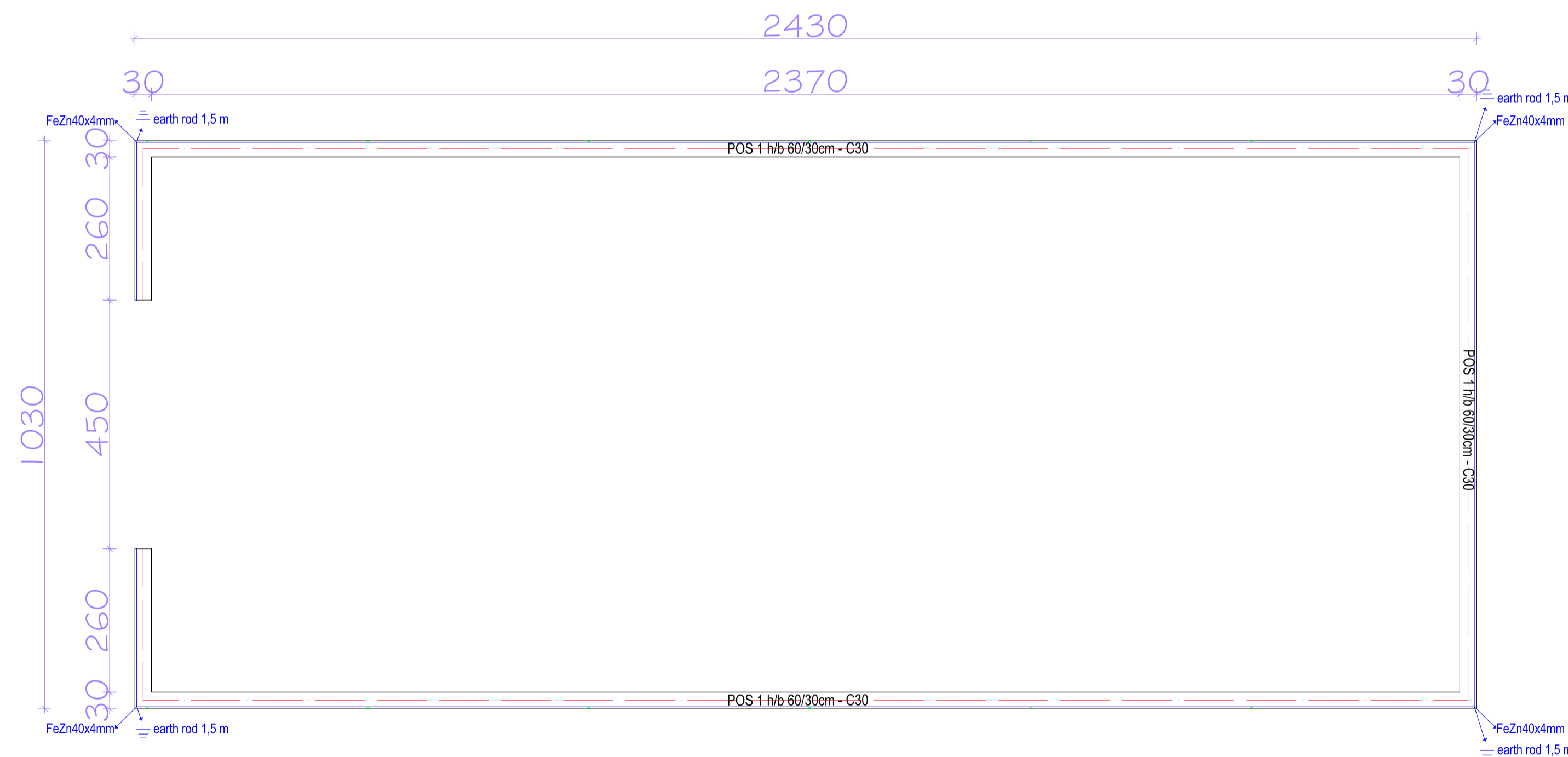
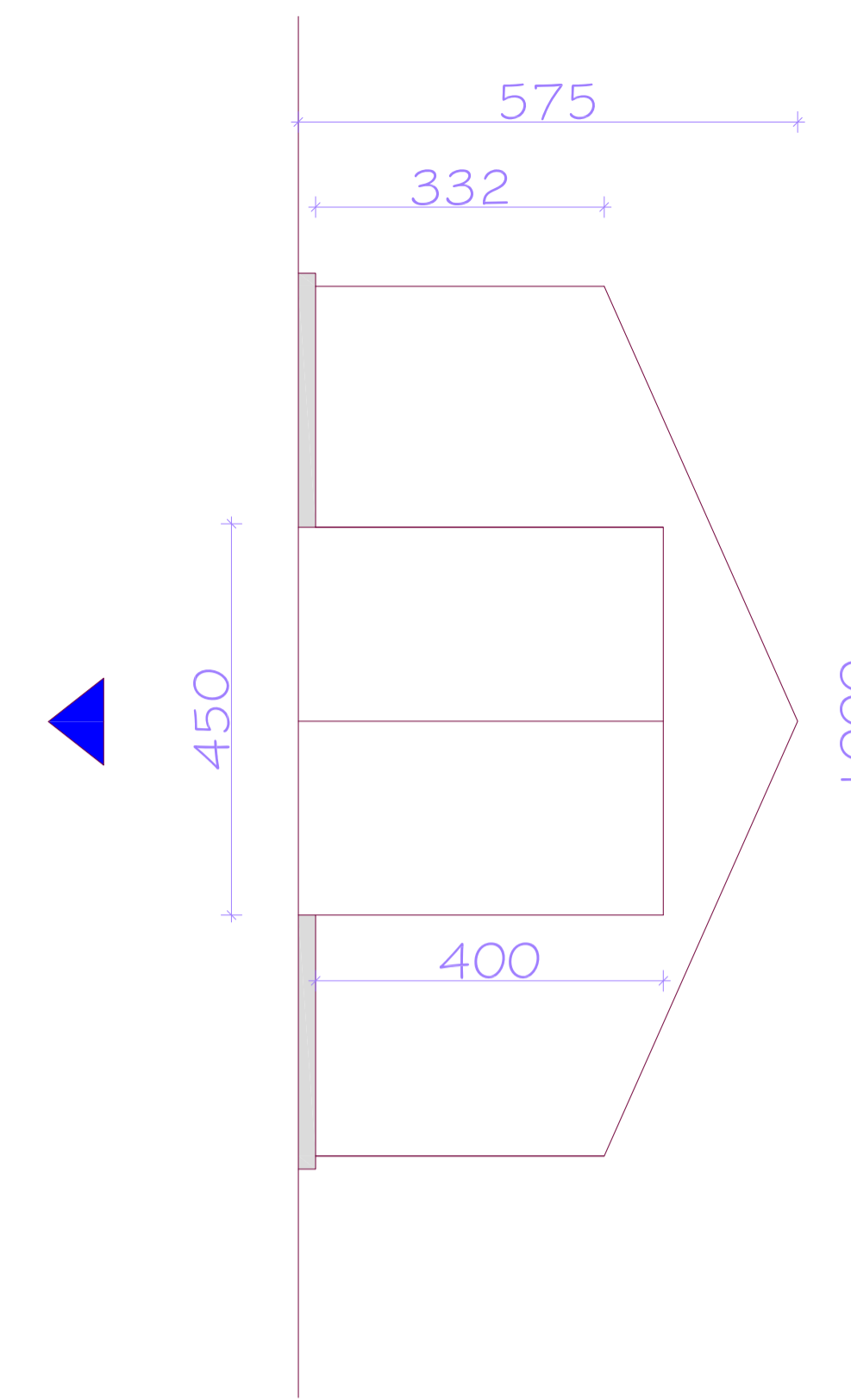
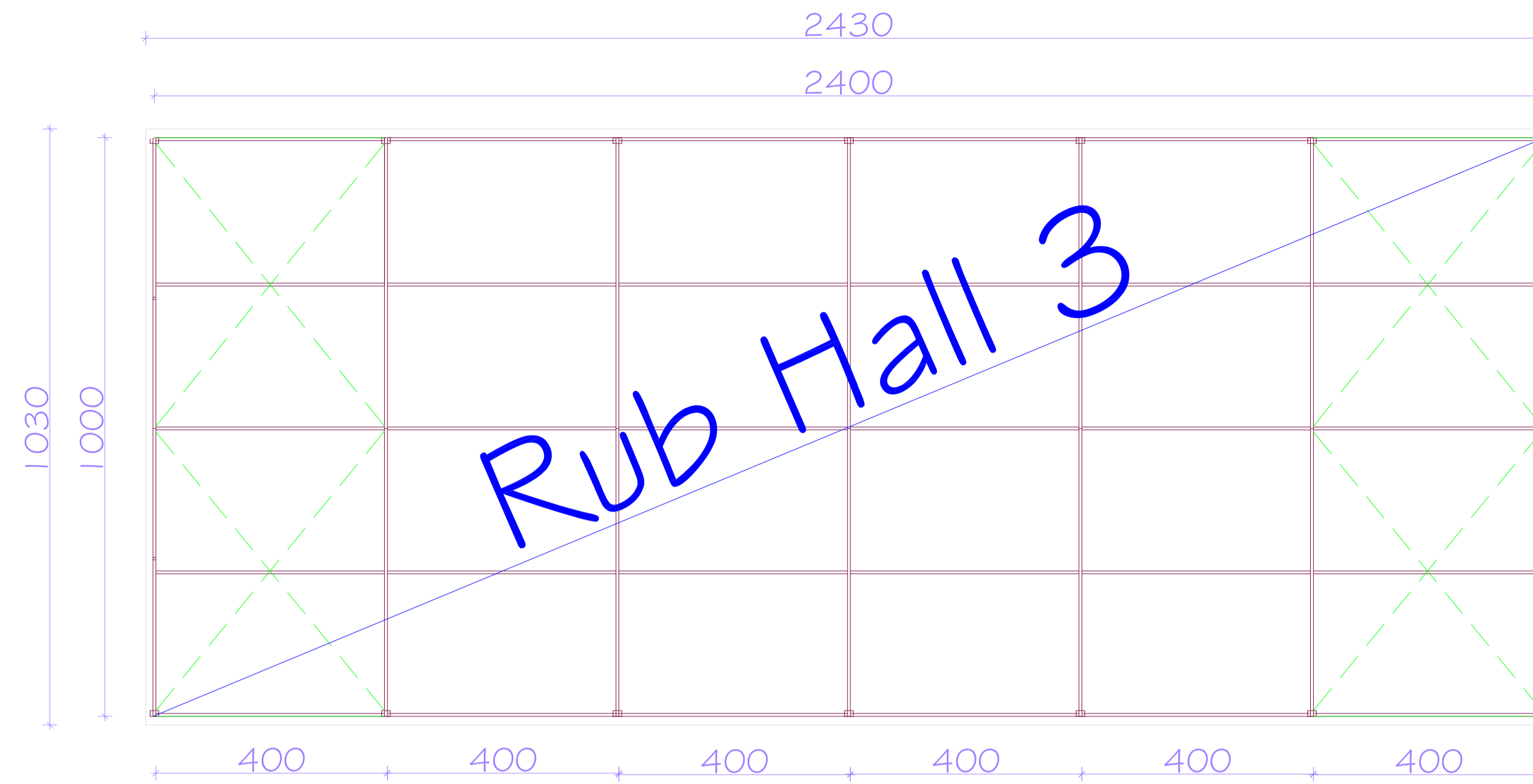
PROJECT TITLE:
New WH Compound

LOCATION: PRISHTINA

DRAWING TITLE:
RUB HALL 1&2

APPROVED BY:	
CHECKED BY:	
DESIGNED BY:	EULEX-BMS
SCALE:	1:75
UNITS	cm
DRAWING NO:	A-12
DATE:	January 2013

FORMAT
A1



POS1
strip foundation section h/b 60/30 - C30

specification POS 1													
#	form and length	∅	L(m)	EA	total length(m)	kg/m'	weight(kg)						
1	1200	10	12	35	420	0.65	273						
2	1200	12	12	23	276	0.92	253.92						
3	<table border="1" style="display: inline-table; vertical-align: middle;"> <tr> <td>9</td> <td>55</td> </tr> <tr> <td>25</td> <td>55</td> </tr> <tr> <td>25</td> <td>55</td> </tr> </table>	9	55	25	55	25	55	8	1.78	350	623	0.41	255.43
9	55												
25	55												
25	55												
total							782.35						

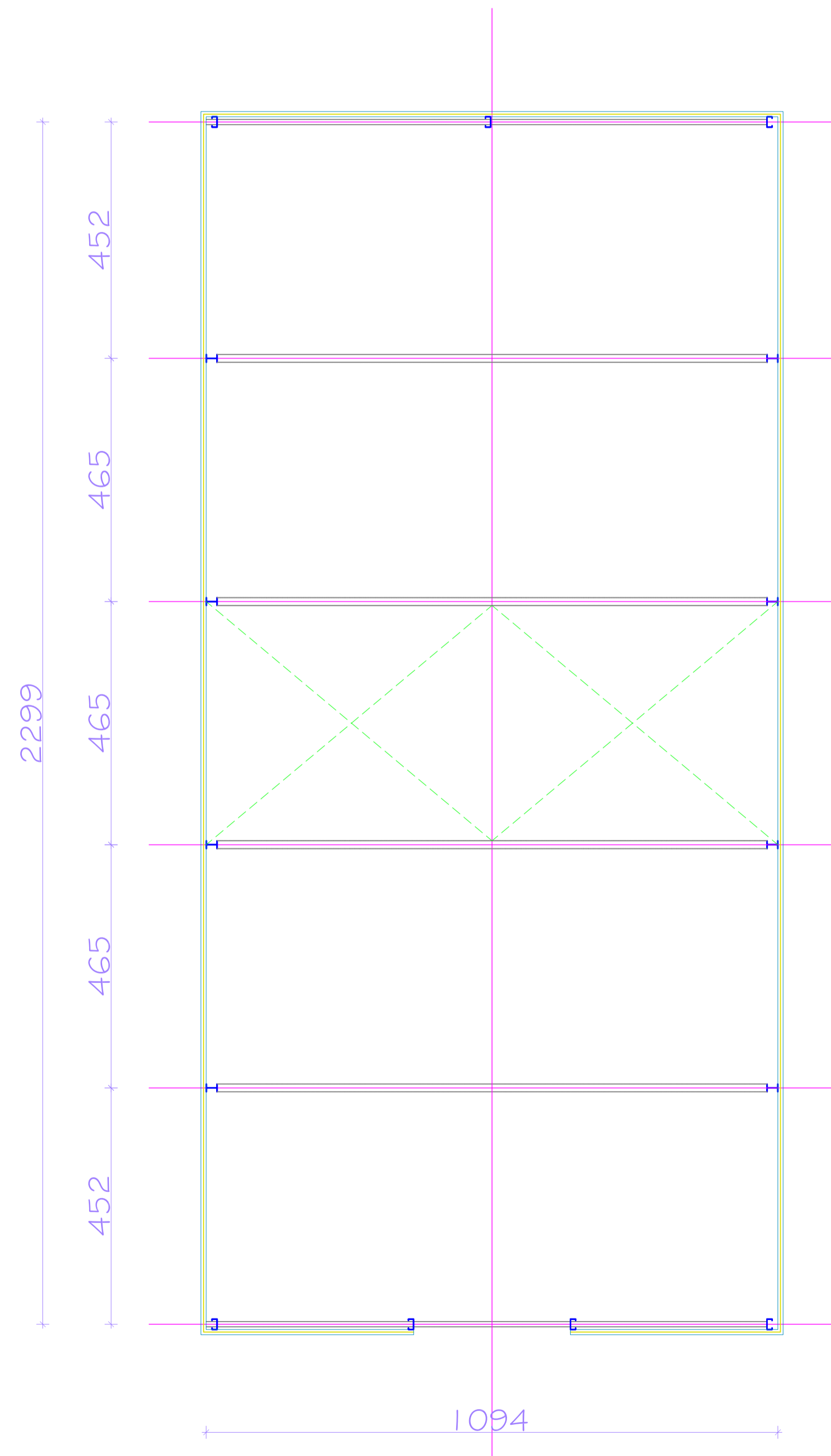
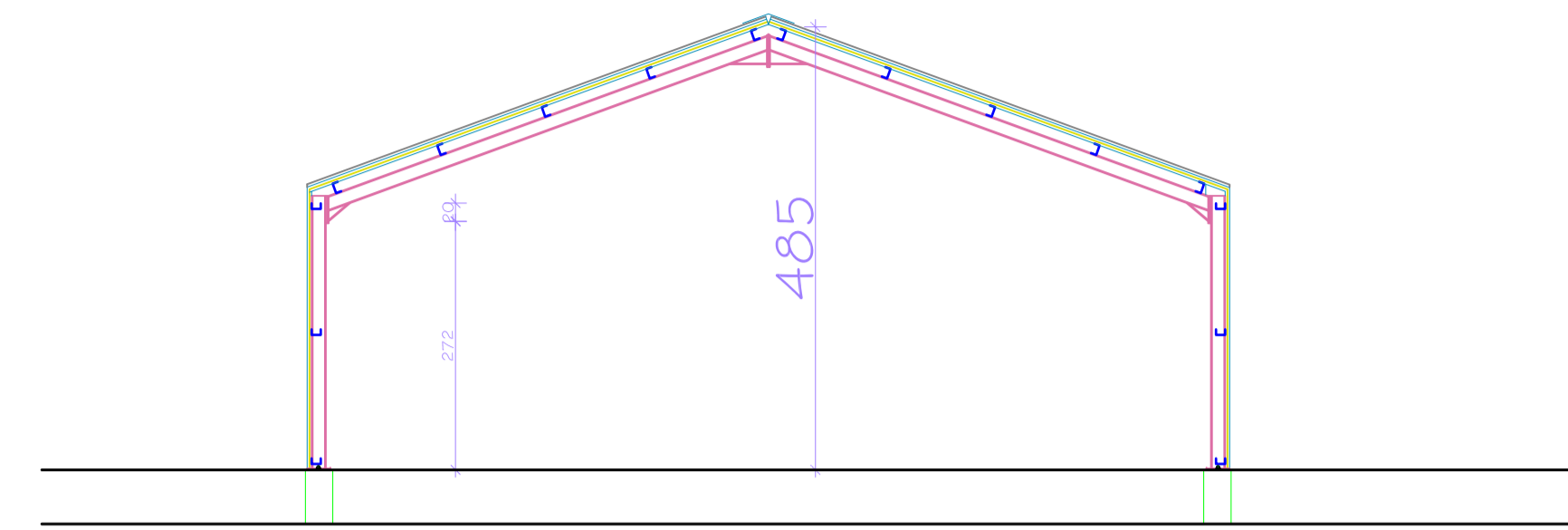
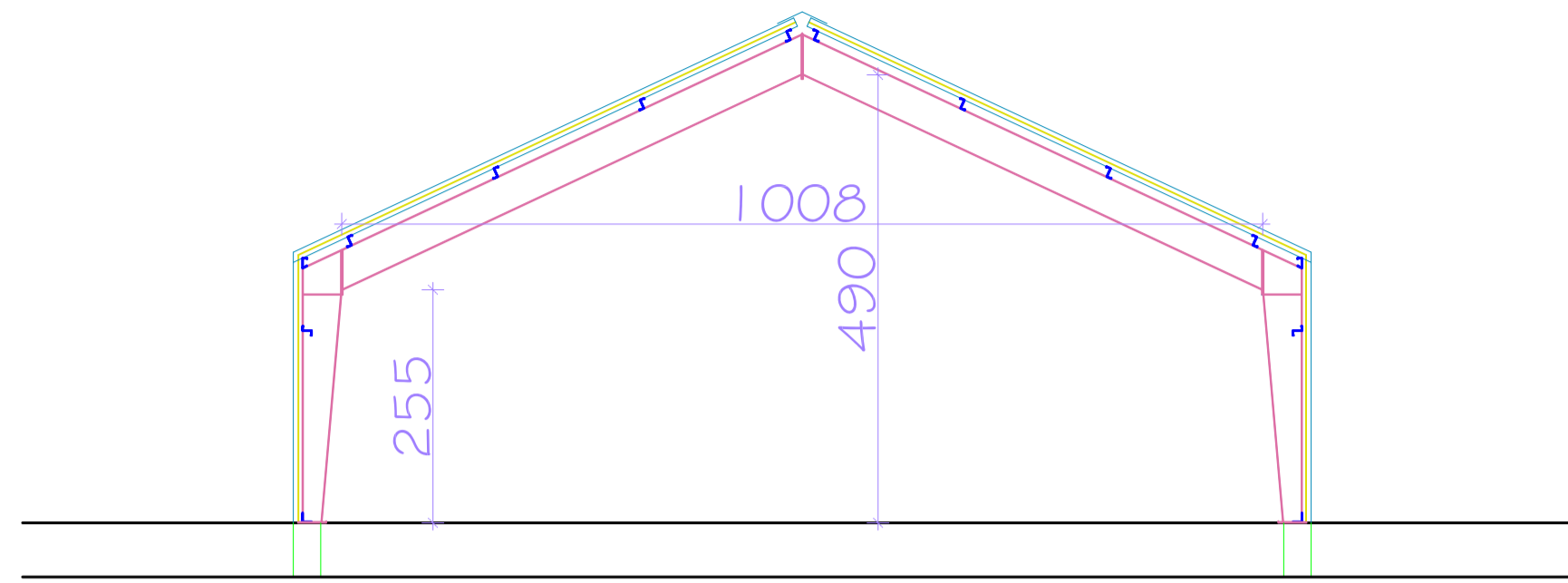
PROJECT TITLE:
New WH Compound

LOCATION: PRISHTINA

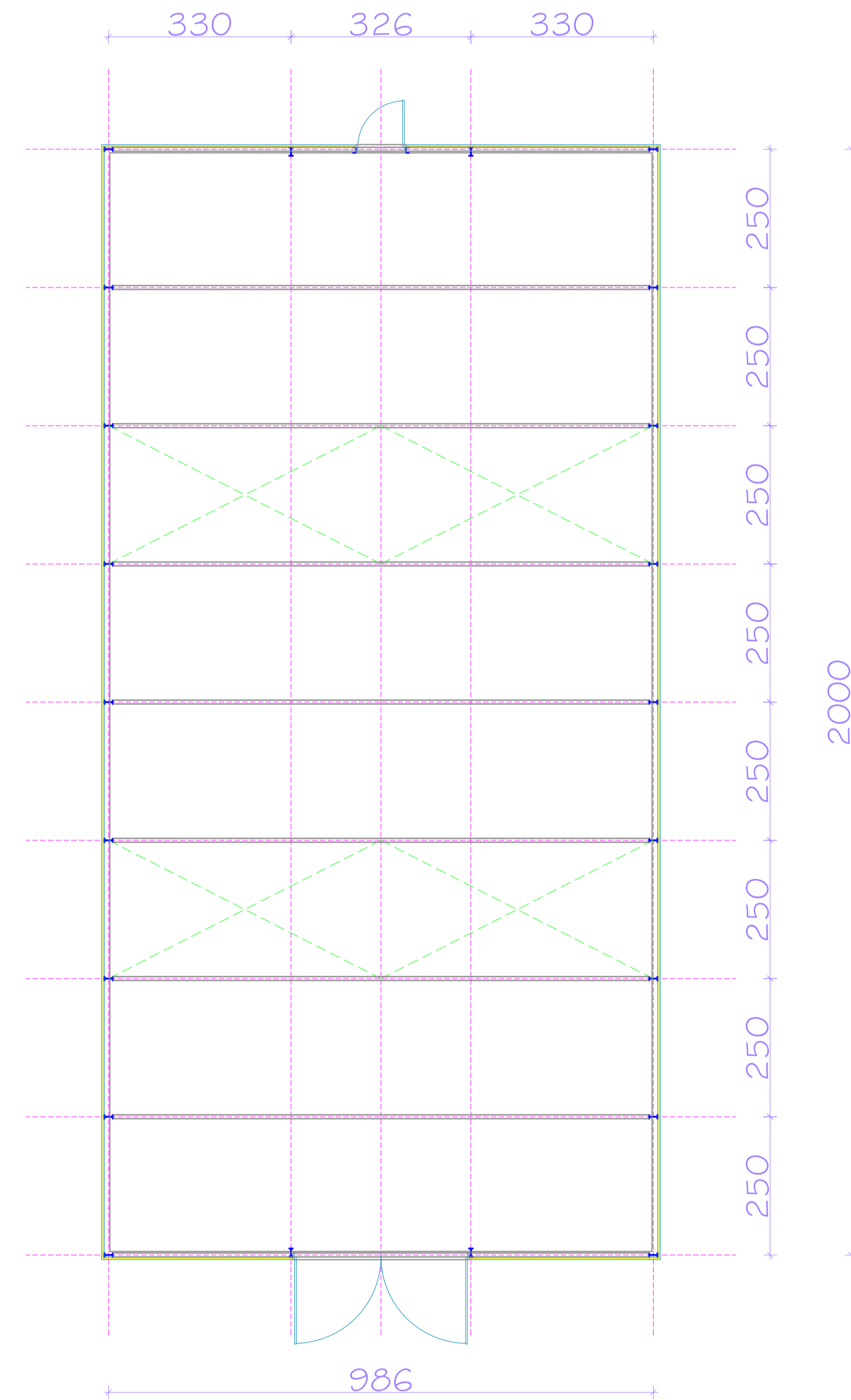
DRAWING TITLE:
RUB HALL 3

APPROVED BY:	
CHECKED BY:	
DESIGNED BY:	EULEX-BMS
SCALE:	1:75
UNITS	cm
DRAWING NO:	A-13
DATE:	January 2013

FORMAT
A1



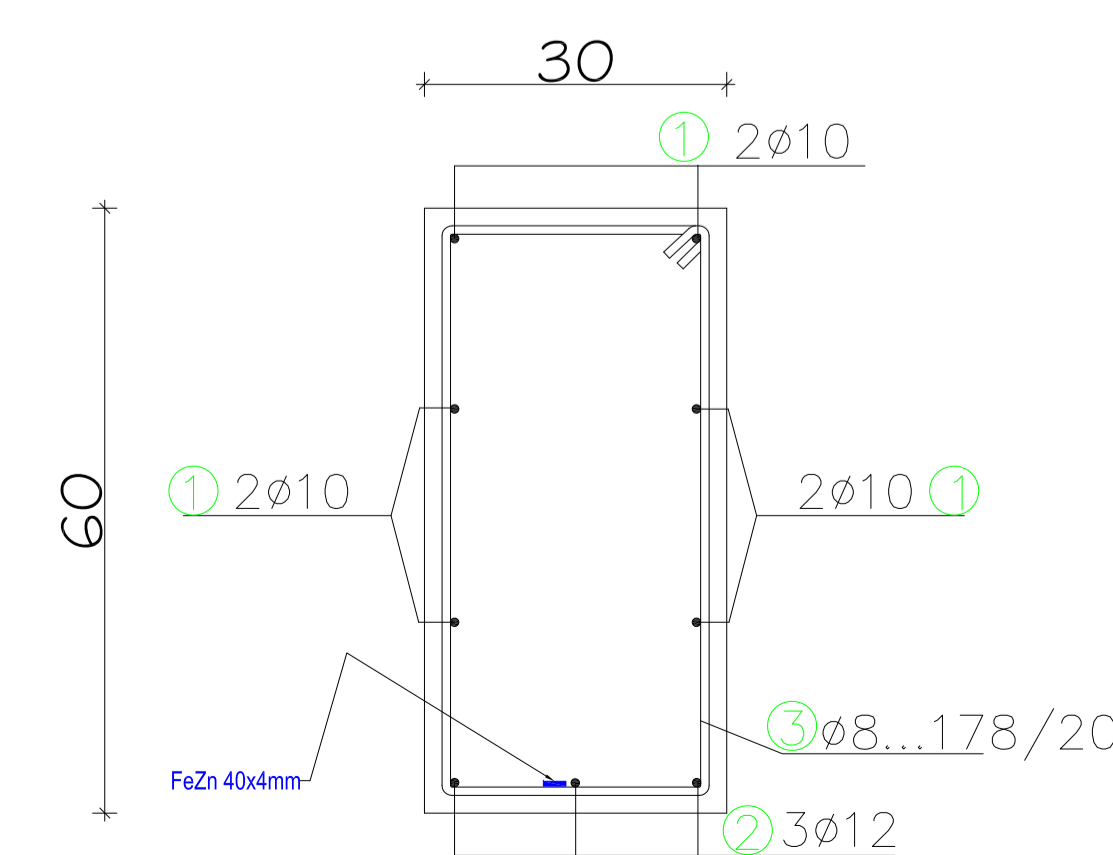
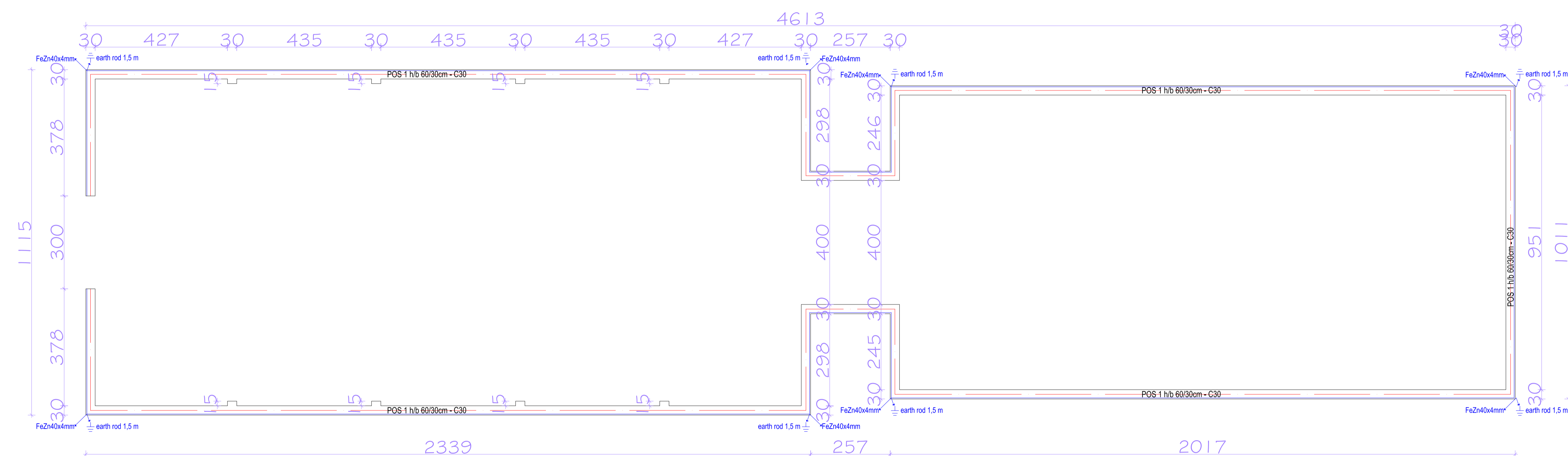
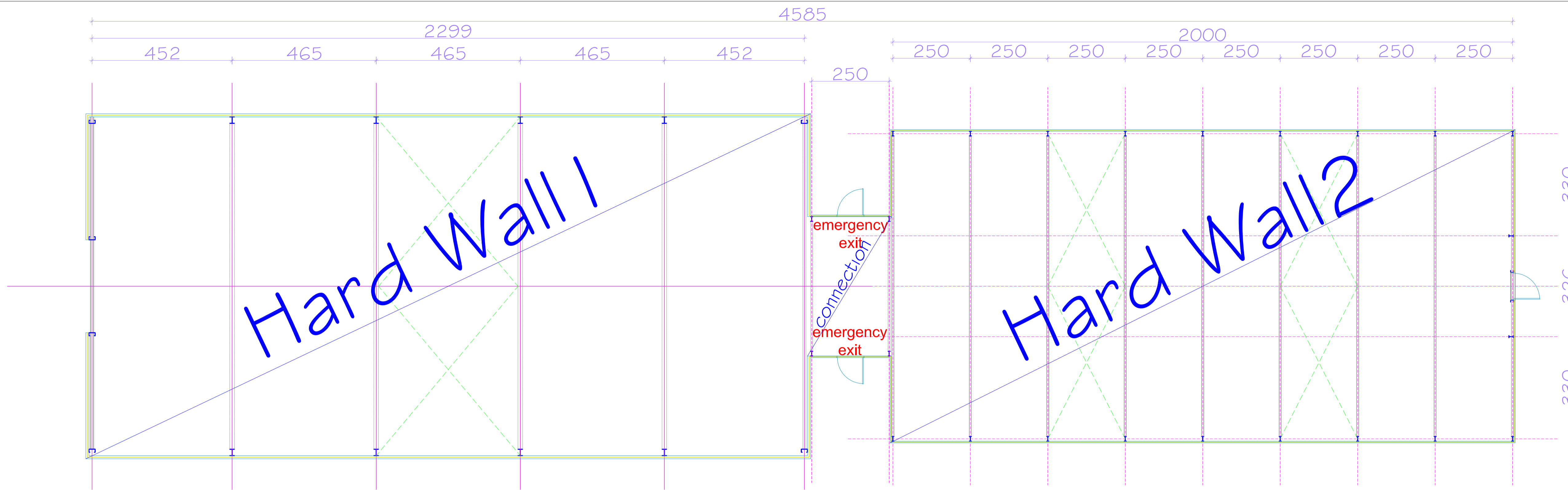
Hard Wall 1



Hard Wall 2

PROJECT TITLE: New WH Compound
LOCATION: PRISHTINA
DRAWING TITLE: EXISTING HARDWALL I&2

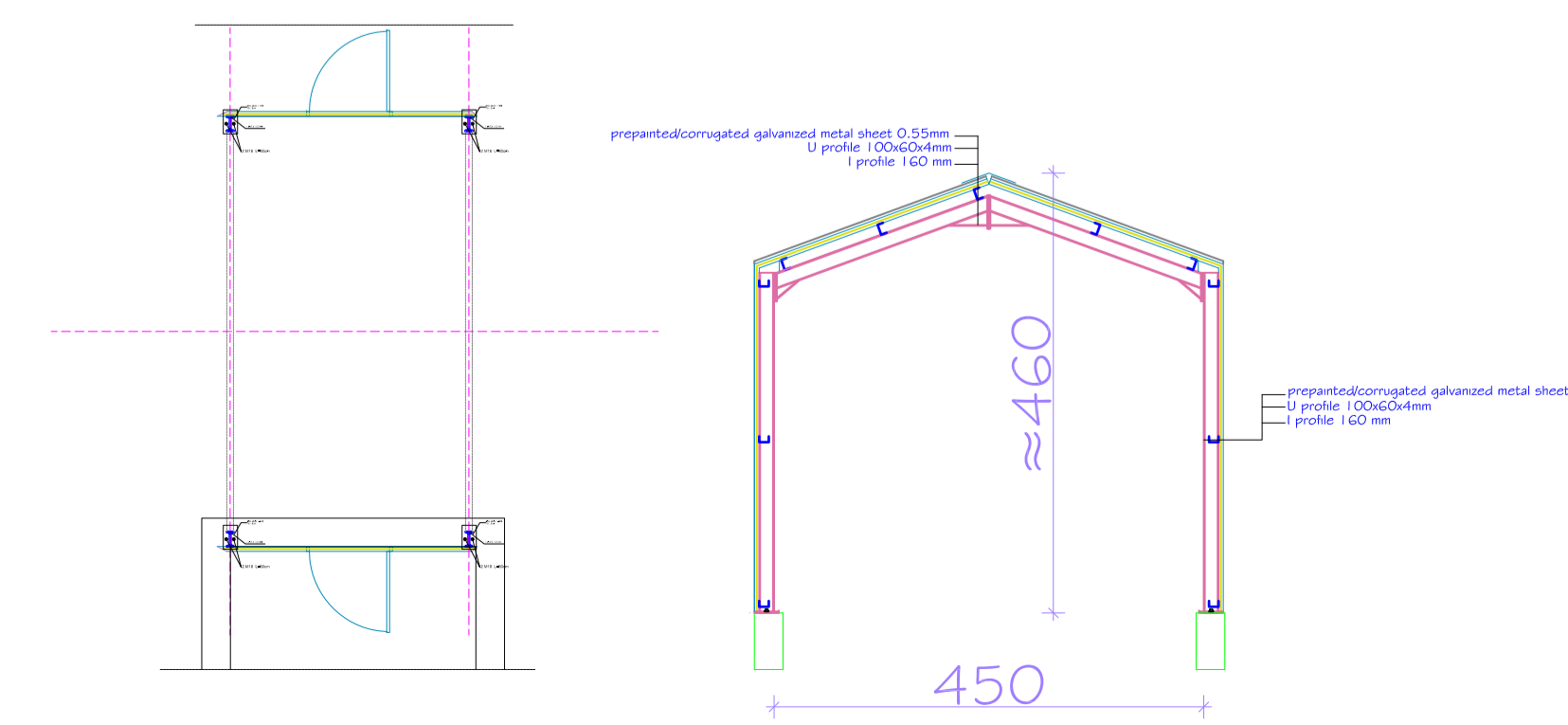
APPROVED BY:	
CHECKED BY:	
DESIGNED BY:	EULEX-BMS
SCALE:	1:75
UNITS:	cm
DRAWING NO:	A-14
DATE:	January 2013
	FORMAT A1



POS1
strip foundation section h/b 60/30 - C30

specification POS 1							
#	form and length	Ø	L(m)	EA	total length(m)	kg/m'	weight(kg)
1	1200	10	12	65	780	0.65	507
2	1200	12	12	33	396	0.92	364.32
3		8	1.78	650	1157	0.41	474.37
total							1345.7

Connection corridor

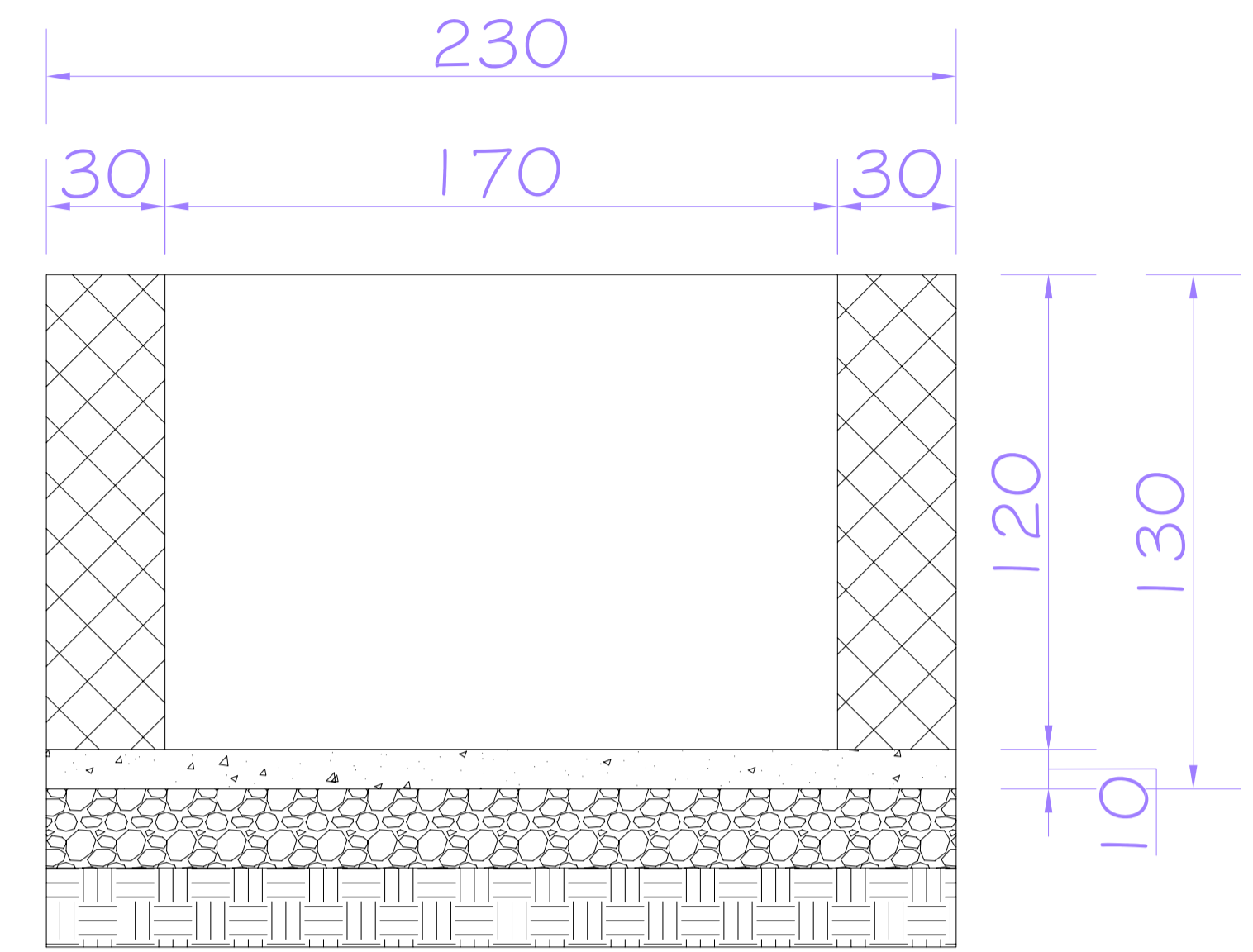
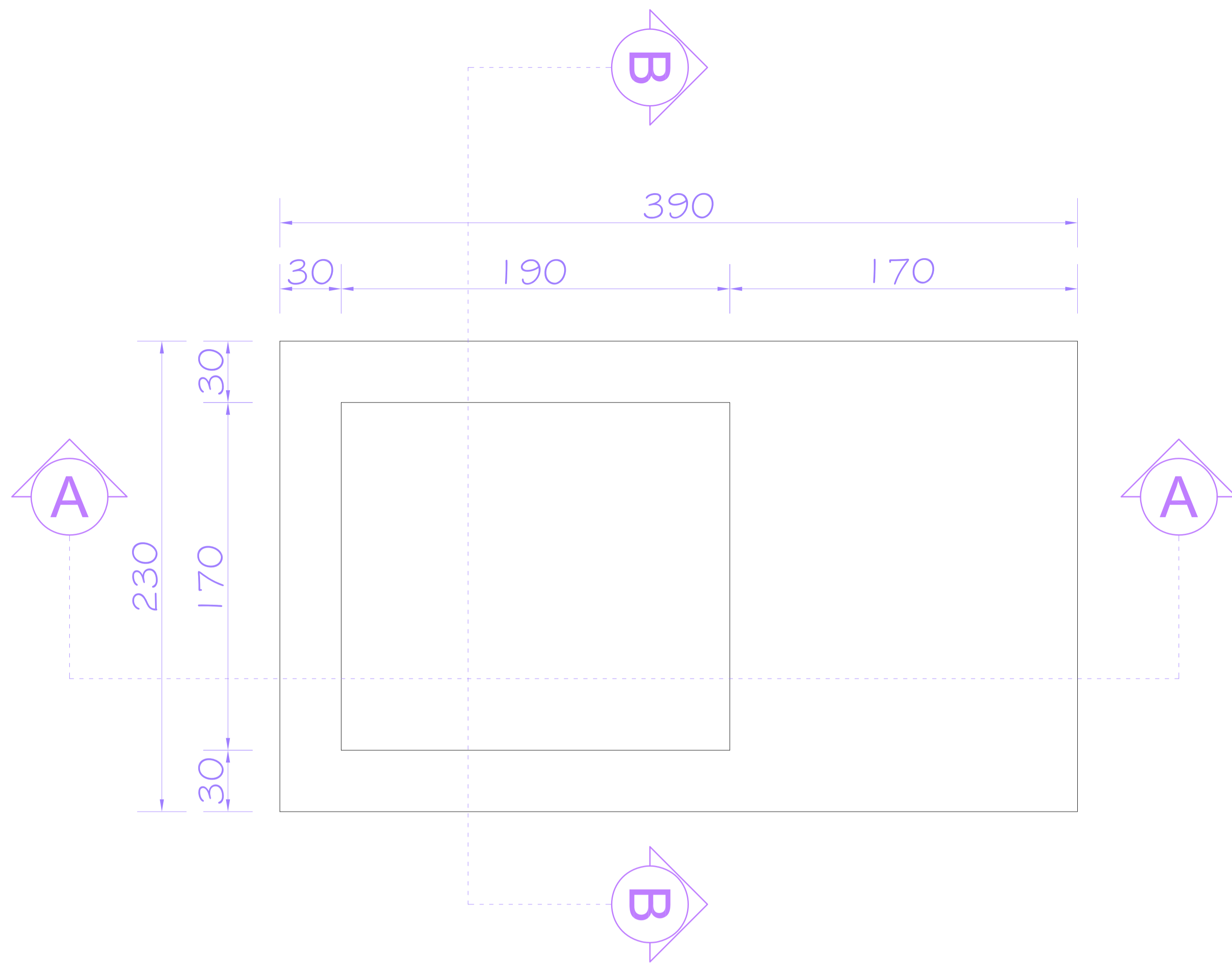


PROJECT TITLE:
New WH Compound

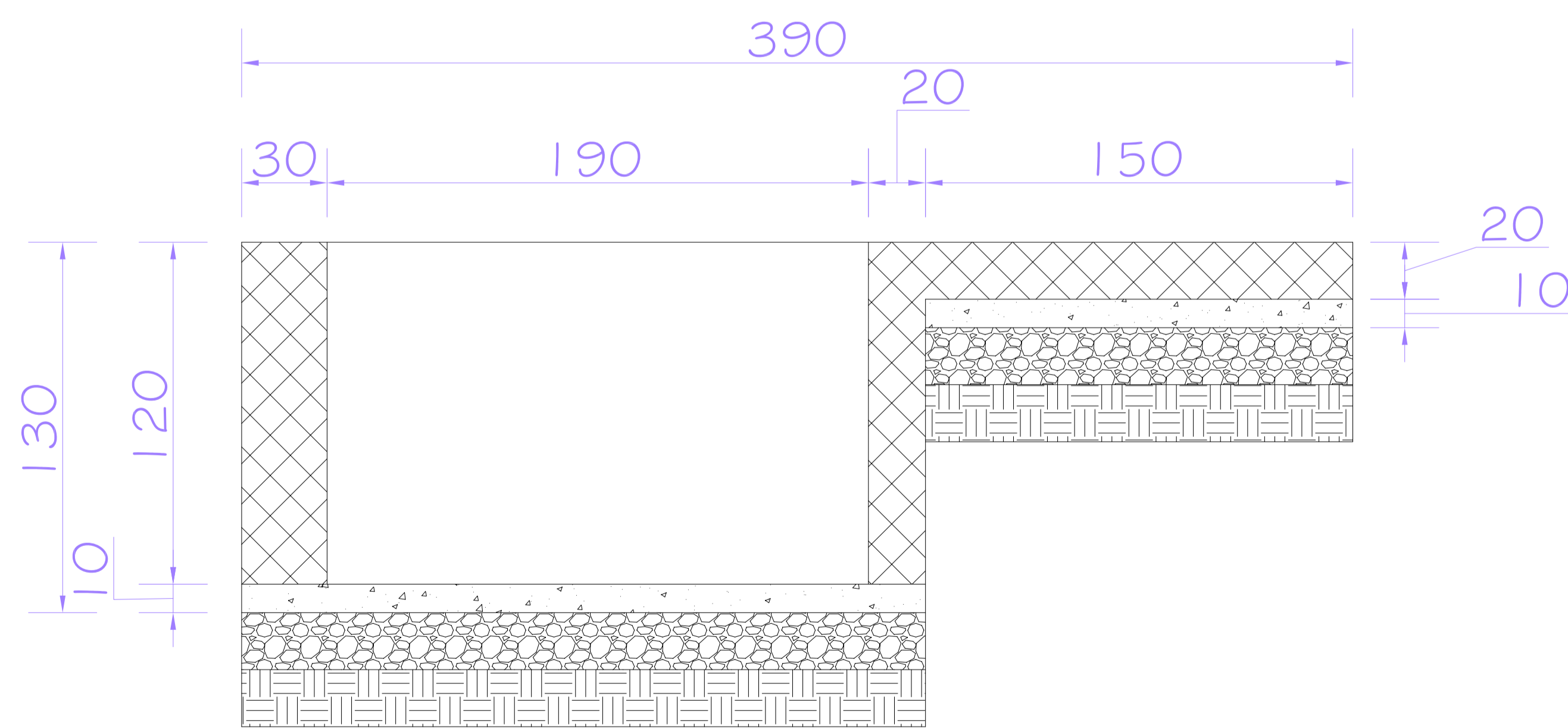
LOCATION: PRISHTINA

DRAWING TITLE:
HARDWALL I&2 FOUNDATION

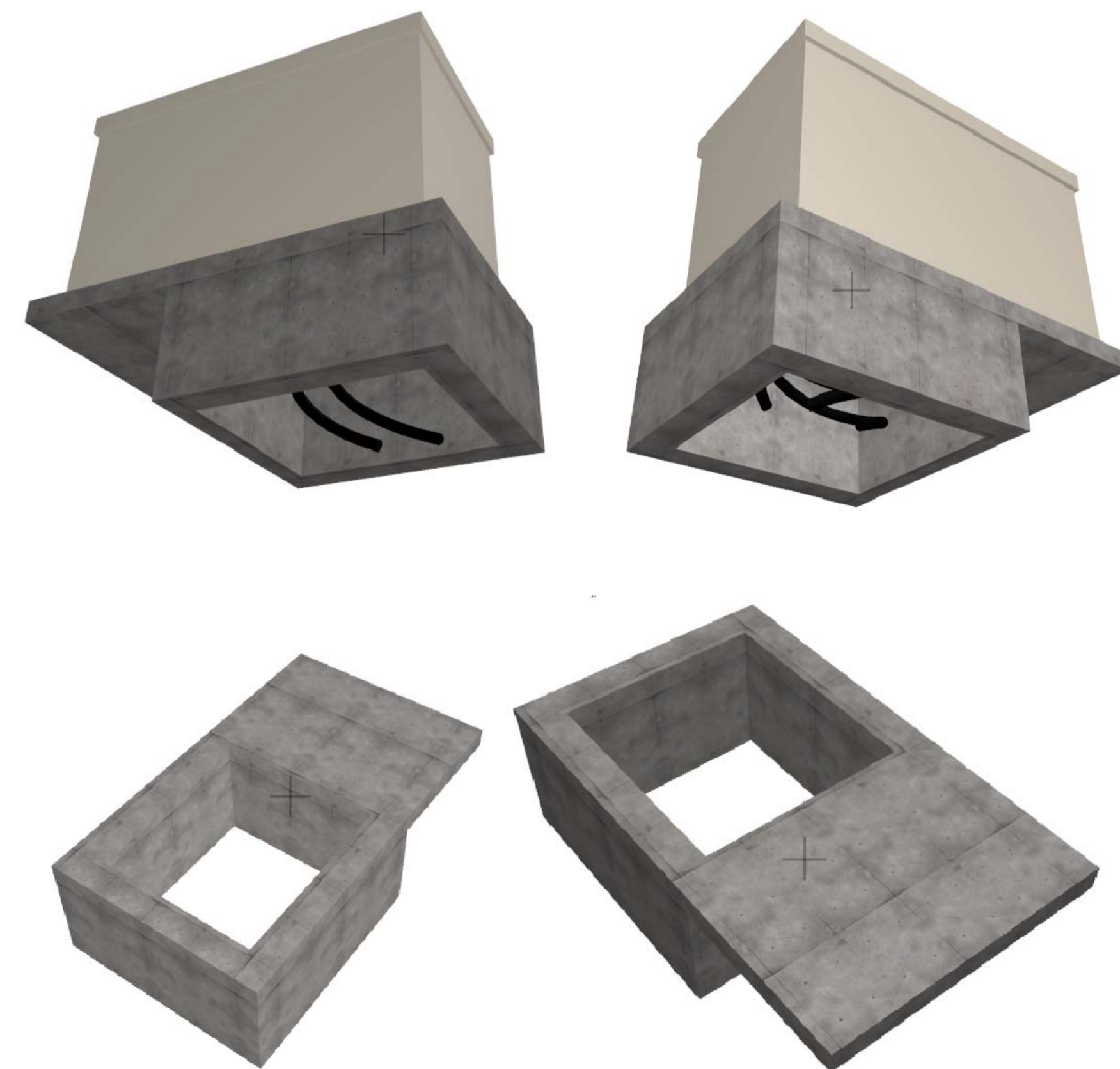
APPROVED BY:	
CHECKED BY:	
DESIGNED BY:	EULEX-BMS
SCALE:	1:75
UNITS	cm
DRAWING NO:	A-15
DATE:	January 2013
	FORMAT A1



BB



AA

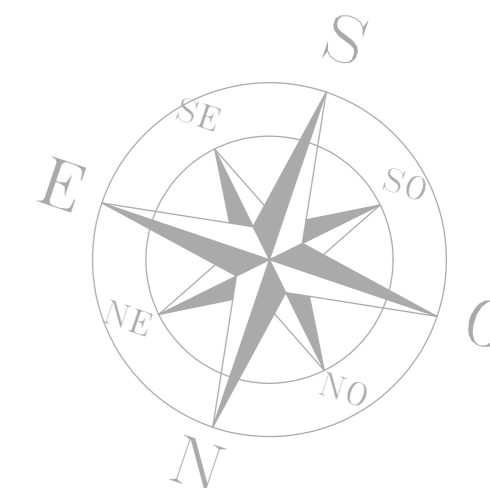


PROJECT TITLE:	New WH Compound
LOCATION:	PRISHTINA
DRAWING TITLE:	TRANSFORMER BASE

APPROVED BY:	
CHECKED BY:	
DESIGNED BY:	EULEX-BMS
SCALE:	nts
UNITS:	cm
DRAWING NO:	A-16
DATE:	January 2013
	FORMAT A1



**BUILDING MANAGEMENT SECTION
EULEX-KOSOVO**



PROJECT TITLE:

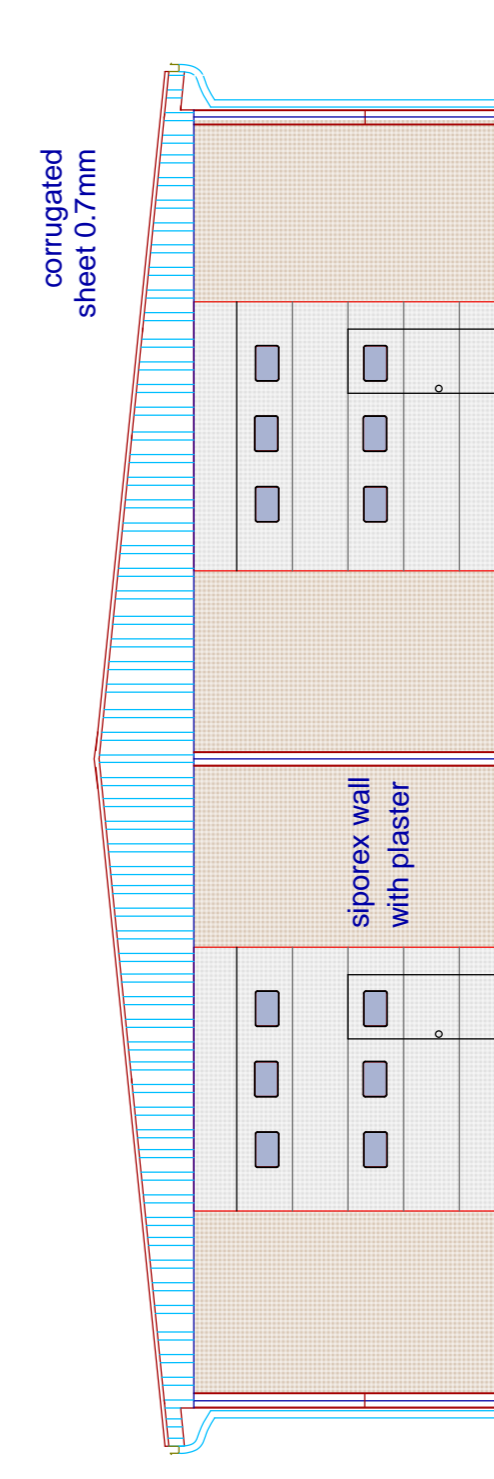
New WH Compound

LOCATION: Industrial Zone
Prishtina

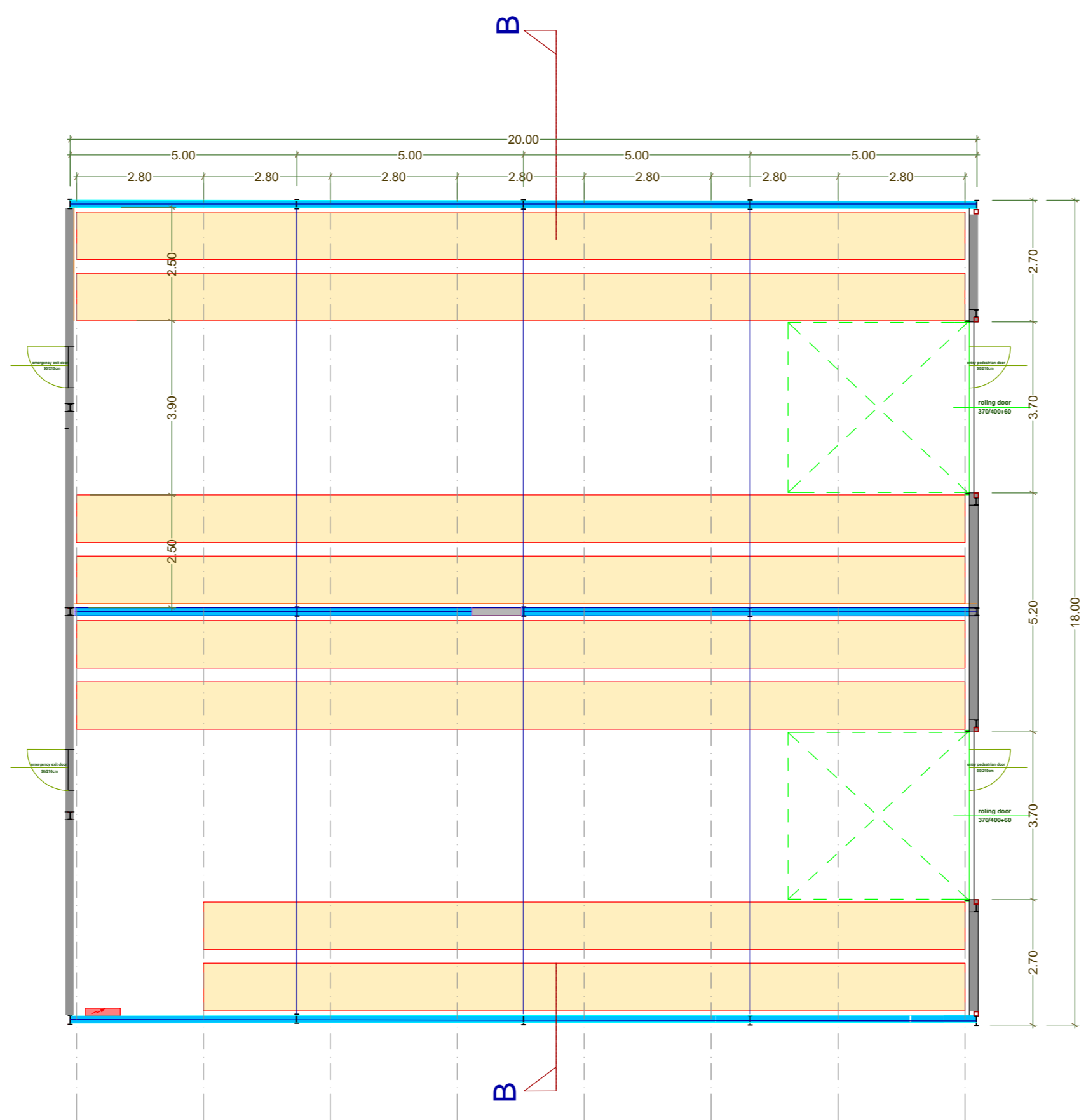
DRAWING TITLE:

Storage Building
(Ex Car Wash)

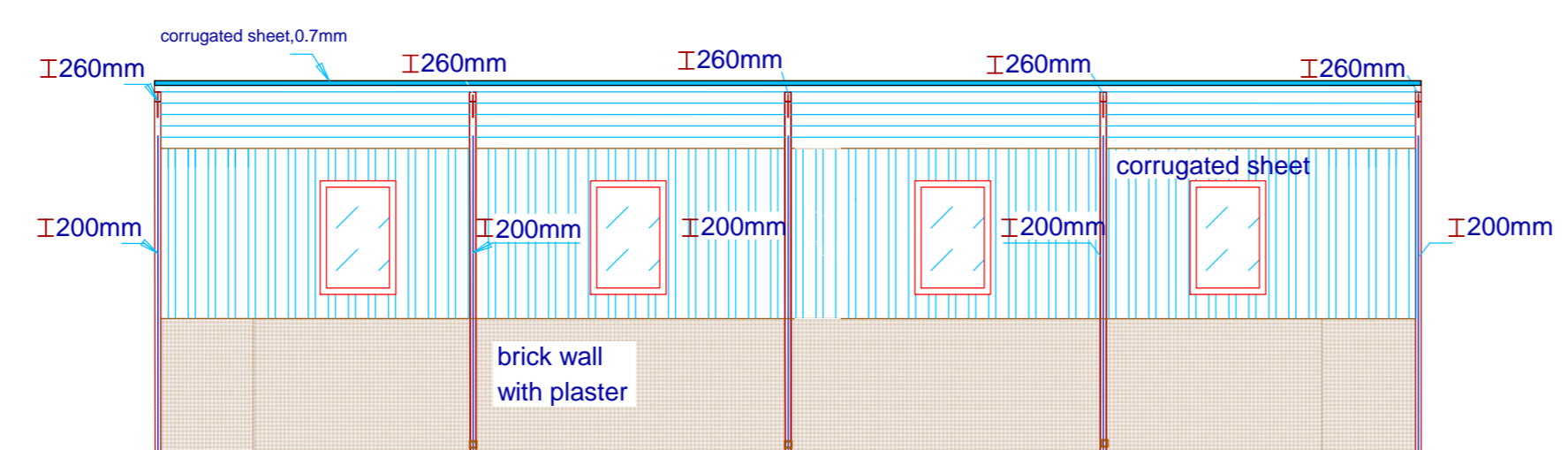
APPROVED BY:	
CHECKED BY:	
DESIGNED BY:	EULEX-BMS
SCALE:	N/A
UNITS	m
DRAWING NO:	A-17 Format A2
DATE:	January 2012



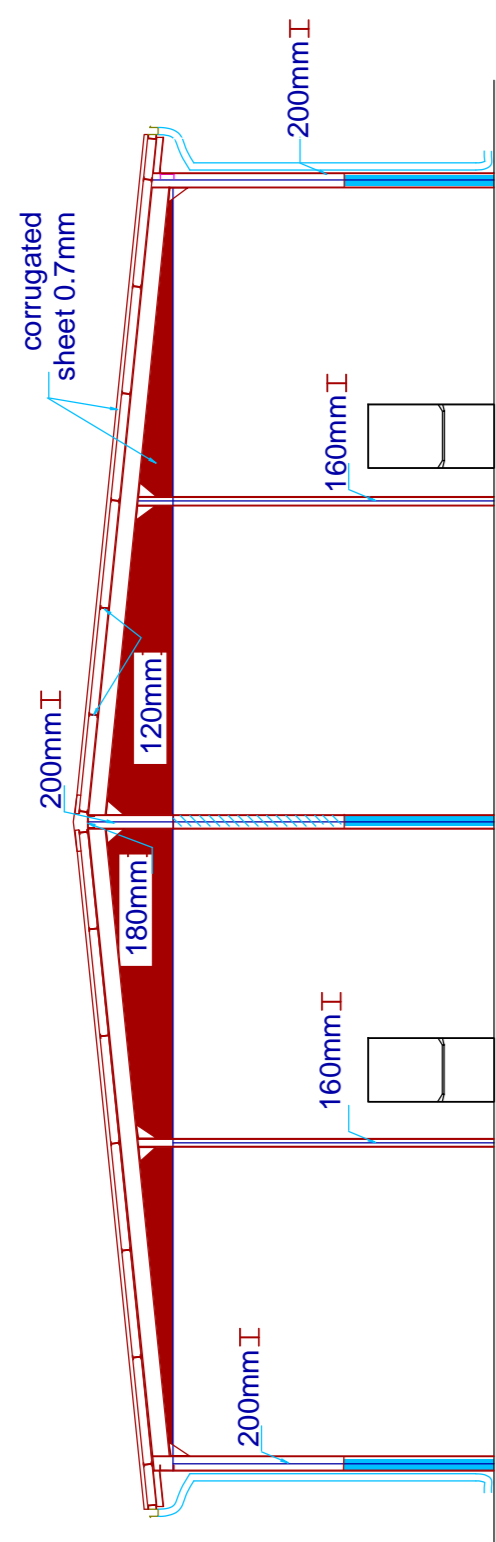
SIDE VIEW



STORAGE BUILDING (ex Car Wash)



Longitudinal View



SECTION "B-B"



Existing Situation



Existing Situation